

K-BKR DREHGRIFF IG IG

Ball valves with wing lever, female/female thread

HANSA FLEX

Osobine

Oblast primene Compressed air, water, non-toxic and neutral gases, heating oil (EL),(S), lubricants, dieseloil, water beased coatings

Radna temperatura -20 °C to +130 °C

Opis navoja G thread acc. to DIN EN ISO 228-1, R thread acc. to DIN EN 10226 (ISO 7-1)

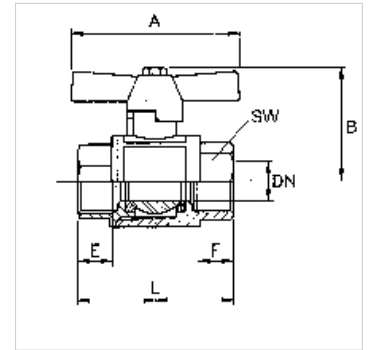
Kućište Nickel-plated brass

Poluga Alu, painted black

Kugla hardchrome-plated brass

Zaptivka kugle PTFE

Zaptivka vretena PTFE



Napomena

Ostali podaci na upit.

Artikal

Naziv	DN	Navoj	PN (bar)	A (mm)	B (mm)	E (mm)	F (mm)	L (mm)	SW (mm)
K- 07 30 20 53	8	G 1/4	80	45,0	43,0	6,5	6,5	40,5	18
K- 07 30 20 54	10	G 3/8	80	45,0	46,0	8,5	8,5	46,0	21
K- 07 30 20 55	15	G 1/2	80	55,0	54,5	9,5	9,5	55,0	26
K- 07 30 20 56	20	G 3/4	80	55,0	59,0	12,5	12,5	65,0	32
K- 07 30 20 57	25	G 1	80	70,0	73,0	13,5	13,5	76,0	39