

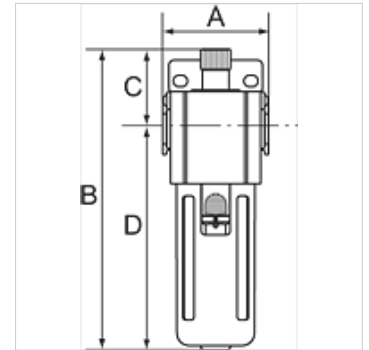
# K-NEBELOELER PC-BEHAEALTER HW G-MINI

Oil-mist lubricators

**HANSA FLEX**

## Osobine

Ulazni pritisak	Max. 10 bar
Temperatura medija	max. 70 °C
Temperatura okoline	Max. 70 °C
Radni pritisak	0.5 - 9 bar
Zapivni materijal	NBR
Poklopac opruge	POM
Kućište	Die-cast aluminium
Naglavak za kapljanje	Brass/POM
Merenje vrednosti protoka	At P1 = 8 bar, P2 = 6 bar and pressure drop $\Delta p = 1$ bar
Ostali podaci	User manual on request



## Artikal

Naziv	Navoj	Protok (L/min)	A (mm)	B	C (mm)	D (mm)	Konstrukciona veličina
K- 07 25 08 75	G 1/8	1950	38,0	119,0 mm	39,0	80,0	200
K- 07 25 08 76	G 1/4	1950	38,0	119,0 mm	39,0	80,0	200

## Pribor

K-ERSATZBEHAELTER G UND G-MINI POLY	Spare tanks »G« Series and »G-mini« Series Polycarbonat
K-HALTERBAUSATZ	Holder
K-VERBINDUNGSELEMENTE	Connecting sets
K-WANDHALTER	Wall bracket