

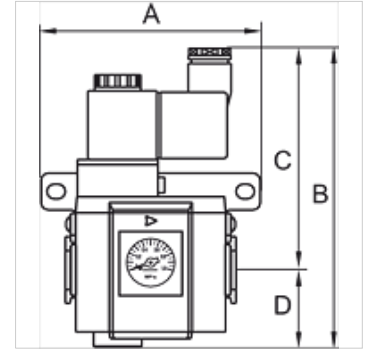
K-3/2 ANFAV 24 V DC HW G-MINI

Start-up valves, power supply 24 V DC, with »HW« mounting bracket and silencer

HANSA FLEX

Osobine

| | |
|--------------------------------|--|
| Ulazni pritisak | 2.5 - 9 bar |
| Temperatura medija | max. 70 °C |
| Temperatura okoline | Max. 70 °C |
| Priključak na električnu mrežu | Coupler plug PG 9 - form B |
| Zaptivni materijal | NBR |
| Kućište | Die-cast aluminium |
| Merenje vrednosti protoka | At P1 = 8 bar, P2 = 6 bar and pressure drop $\Delta p = 1$ bar |
| Ostali podaci | User manual on request |



Artikal

| Naziv | Navoj | Protok (L/min) | A (mm) | B | C (mm) | D (mm) | Konstrukciona veličina |
|----------------|-------|----------------|--------|----------|--------|--------|------------------------|
| K- 07 25 12 26 | G 1/8 | 550 | 59,0 | 123,5 mm | 93,5 | 30,0 | 200 |
| K- 07 25 12 28 | G 1/4 | 550 | 59,0 | 123,5 mm | 93,5 | 30,0 | 200 |

Pribor

| | |
|-----------------|--------------|
| K-WANDHALTER | Wall bracket |
| K-HALTERBAUSATZ | Holder |

je oprema za sledeće proizvode

| | |
|-------------------|-----------|
| K-VT 2 ABGAENGE G | Manifolds |
|-------------------|-----------|