

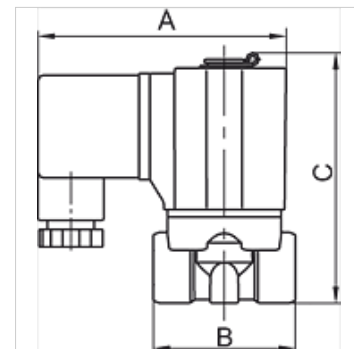
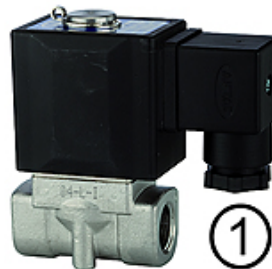
K-MV G (NC) D 24 V DC STA

Normally closed, (NC), directly operated, 24 V DC, standard type

HANSA FLEX

Osobine

Priključak na električnu mrežu	device socket type A in acc. with ISO 4400 for all valves with threads G 3/8 & G 1/2, except valves type 3 & 4. Device socket
Opis navoja	G thread acc. DIN EN ISO 228-1
Temperatura medija	max. 80 °C when using water or oils; max. 90 °C when using with air
Vrsta zaštite	IP 65
maks. radni pritisak	10 bar
Zaptivni materijal	FPM
Kućište, sedište ventila	Stainless steel 1.4301
Unutrašnji delovi	Stainless steel



Napomena

Ostali podaci na upit.

Opis

Standard series in two different versions: Directly operated, Pilot-operated

Artikal

Naziv	Navoj	NW	A (mm)	B (mm)	C (mm)	Konstrukcija
K- 07 30 01 20	G 1/8	3,0	70,0	40,0	70,7	1
K- 07 30 01 21	G 1/4	3,0	70,0	40,0	70,7	1
K- 07 30 01 22	G 3/8	5,0	85,0	52,0	87,0	1
K- 07 30 01 23	G 1/2	5,0	85,0	52,0	87,0	1