

# K-DRV 2

## Unidirectional flow control valves

### Osobine

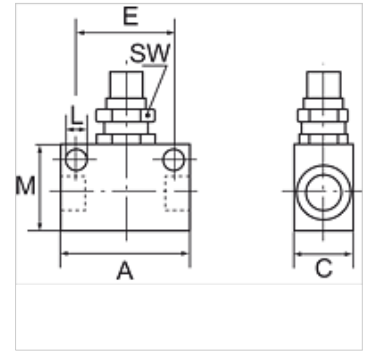
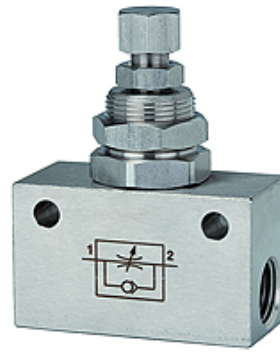
Radni pritisak maks. 10 bara

Radna temperatura 0 °C to +150 °C

Zaptivni materijal FKM

Kućište Stainless steel 1.4404

Unutrašnji delovi Stainless steel 1.4404



### Napomena

Ostali podaci na upit.

### Opis

Unidirectional flow control valve, restricted in the flow direction and free passage in the opposite direction.

### Artikal

Naziv	Navoj	A (mm)	C (mm)	E (mm)	L (mm)	M (mm)	SW (mm)
K- 07 30 12 41	G 1/8	34,0	15,0	24,0	4,5	20,0	14
K- 07 30 12 42	G 1/4	50,0	25,0	35,0	5,5	30,0	22