

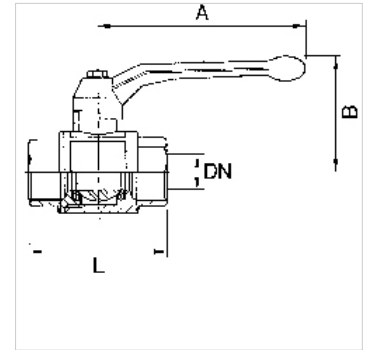
# K-BKR ROT STAHLHEBEL IG AG

Ball valves with red steel lever, lightweight type, female/male thread

**HANSA FLEX**

## Osobine

<b>Oblast primene</b>	Compressed air, water, non-toxic and non-corrosive gases, heating systems, agriculture
<b>Radni pritisak</b>	Max. 40 bar
<b>Radna temperatura</b>	-15 °C to +90 °C
<b>Opis navoja</b>	G thread acc. DIN EN ISO 228-1
<b>Kućište</b>	Nickel-plated brass
<b>Poluga</b>	Steel, with plastic coating
<b>Kugla</b>	Chrome-plated brass
<b>Zaptivka kugle</b>	PTFE
<b>Zaptivka vretena</b>	HNBR / EPDM / PTFE. 2 O-Rings (HNBR / EPDM) 1 gasket (PTFE) additional PTFE-gasket



## Napomena

Ostali podaci na upit.

## Artikal

Naziv	DN	Navoj	A (mm)	B (mm)	L (mm)
K- 07 30 00 50	8	G 1/4	85,0	42,0	44,0
K- 07 30 00 54	10	G 3/8	85,0	42,0	51,0
K- 07 30 00 58	15	G 1/2	85,0	46,0	60,0
K- 07 30 00 62	20	G 3/4	105,0	53,0	70,0
K- 07 30 00 66	25	G 1	105,0	57,0	79,0
K- 07 30 00 70	32	G 1 1/4	130,0	70,0	91,0
K- 07 30 00 74	40	G 1 1/2	130,0	76,0	104,0
K- 07 30 00 78	50	G 2	165,0	92,0	122,0