

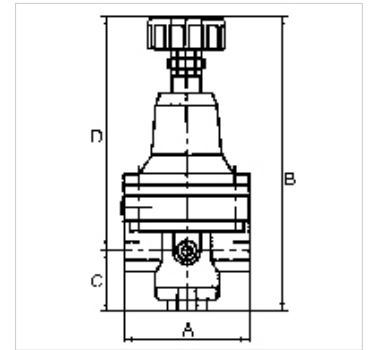
K-PRAEZIONS STEUERREGLER

Precision pilot regulators (feedback)

HANSA FLEX

Osobine

Ulazni pritisak	Max. 16 bar
Temperatura medija	max. 80 °C
Temperatura okoline	Max. 80 °C
Priključak manometra	For feedback pressure
Zaptivni materijal	FKM
Kućište	Die-cast zinc
Membrana	FKM
Sopstvena potrošnja vazduha	3 to 6 l/min



Napomena

Ostali podaci na upit.

Opis

Diaphragm pressure regulator for feedback systems, specially designed for use in a pneumatically controlled closed control loop in combination with a pressure regulator with pneumatic remote control, e.g. our Art. Nos. K-07250505 to K-07250510.

Artikal

Naziv	Navoj	Opseg regulacije	A (mm)	B	C (mm)	D (mm)
K- 07 25 05 11	G 1/4	0.2 - 7 bar	82,0	142,8 mm	19,4	123,4

Pribor

K-HALTERBAUSATZ STANDARD Holder