

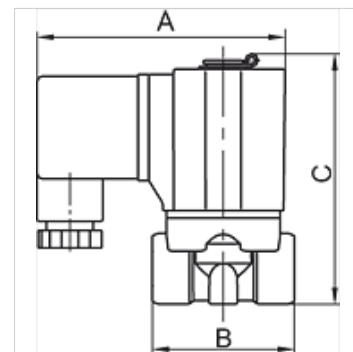
K-MV G (NC) D 230 V, 50 HZ H

Normally closed, (NC), directly operated, 230 V, 50 Hz, for high pressures

HANSA FLEX

Osobine

Priključak na električnu mrežu	device socket type A in acc. with ISO 4400 for all valves with threads G 3/8 & G 1/2, except valves type 3 & 4. Device socket
Vrsta zaštite	IP 65
Temperatura medija	max. 80 °C when using water or oils; max. 90 °C when using with air
Opis navoja	G thread acc. DIN EN ISO 228-1
Kućište, sedište ventila	Brass
Unutrašnji delovi	Stainless steel
Zaptivka	FPM



Napomena

Ostali podaci na upit.

Opis

Standard series in two different versions: Directly operated, Pilot-operated. For all applications with compressed air, neutral gases or low-viscosity, neutral media.

Artikal

Naziv	Navoj	maks. radni pritisak (bar)	NW	A (mm)	B (mm)	C (mm)	Konstrukcija
K- 07 30 01 60	G 1/8	30	1,5	70,0	40,0	70,7	1
K- 07 30 01 61	G 1/4	30	1,5	70,0	40,0	70,7	1
K- 07 30 01 62	G 3/8	30	3,0	85,0	52,0	87,0	1
K- 07 30 01 63	G 1/2	30	3,0	85,0	52,0	87,0	1