

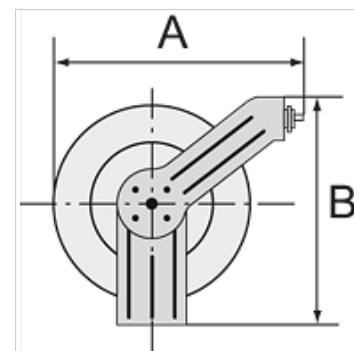
K-SCHL-AUFROLLER SCHWEISS

Hose reel, welding type

HANSA FLEX

Osobine

Creva	Welding hose for oxygen and acetylene, red and blue, made from synthetic rubber.
Radni pritisak	maks. 10 bara
Pričvršćivanje	Wall, floor or ceiling
Ulaz	Oxygen G 1/4 male, right-hand thread with 60° inside cone, Acetylene G 3/8 male, left-hand thread with 60° inside cone



Napomena

Ostali podaci na upit.

Opis

Heavy-duty steel design for industrial applications. Blue, powder-coated housing. Special reel guide prevents excessive wear on the hose. An automatic latching mechanism allows the hose to be engaged at any length. Enclosed spring. Precise locking device for continuous feeding or latching mechanism.

Artikal

Naziv	Mera creva	Visina (mm)	Prečnik (mm)	Dužina creva (m)
K- 07 10 06 28	Oxygen: 16.5 mm x 6 mm, Acetylene: 17 mm x 10 mm	360	320	15