

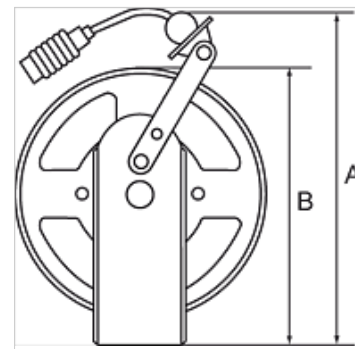
K-SCHL-AUFROLLER LU WA S

Hose reels for compressed air and water, heavy-duty type

HANSA FLEX

Osobine

Materijal creva	Polyurethane
Radni pritisak	maks. 10 bara
Radna temperatura	-10 °C to +40 °C
Pričvršćivanje	Wall, floor or ceiling
Ulaz	Hose stem 8 mm



Napomena

Ostali podaci na upit.

Opis

Heavy-duty steel design for industrial applications. Blue, powder-coated housing. An automatic latching mechanism allows the hose to be engaged at any length. Enclosed spring. Precise locking device for continuous feeding or latching mechanism. Reel guide prevents excessive wear on the hose.

Artikal

Naziv	Mera creva	A (mm)	B (mm)	Dužina creva (m)
K- 07 10 06 24	10 mm x 6,5 mm	420,0	353,0	10
K- 07 10 06 25	10 mm x 6,5 mm	420,0	353,0	20
K- 07 10 06 26	12 mm x 8 mm	420,0	353,0	15
K- 07 10 06 27	16 mm x 11 mm	420,0	353,0	15