

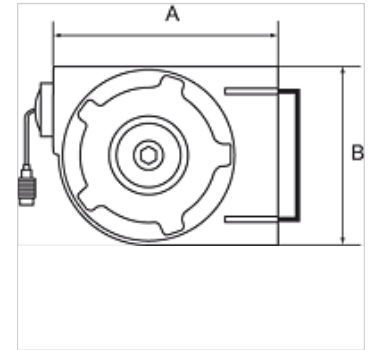
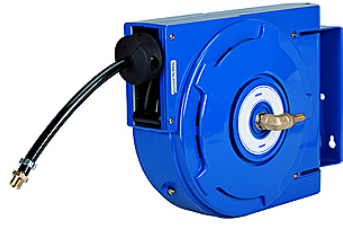
# K-SCHL-AUFROLLER KOMPAKT

Hose reel, compact type

**HANSA FLEX**

## Osobine

Materijal creva	Polyurethane
Radni pritisak	maks. 10 bara
Radna temperatura	-10 °C to +40 °C
Obrtni ugao	180°
Priključak	G 1/4
Ulaz	Hose stem 8 mm
Kućište	Rugged, impact-resistant polypropylene



## Napomena

Ostali podaci na upit.

## Opis

A compact, lightweight hose reel for universal air applications whenever space is restricted.

## Artikal

Naziv	Mera creva	A (mm)	B (mm)	Dužina creva (m)
K- 07 10 06 15	12 mm x 8 mm	340,0	245,0	7