

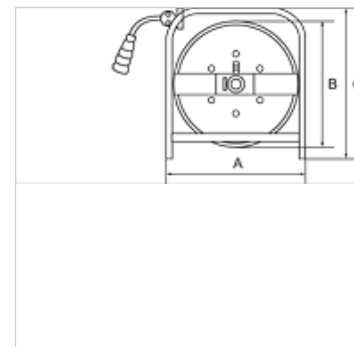
# K-SCHL-AUFROLLER MOBIL

Hose reels for mobile applications

**HANSA FLEX**

## Osobine

Materijal creva	Polyurethane
Radni pritisak	maks. 10 bara
Radna temperatura	-10 °C to +40 °C
Ulaz	Hose stem 8 mm
Priključni navoj	Coupling G 3/8



## Napomena

Ostali podaci na upit.

## Opis

Specially designed for mobile applications. This 50 m long polyurethane hose is mounted in a portable four-wheel cart made from blue anodised steel. An automatic latching mechanism allows the hose to be engaged at any length. Enclosed spring. Precise locking device for continuous feeding or latching mechanism. Reel guide prevents excessive wear on the hose.

## Artikal

Naziv	Mera creva	A (mm)	B (mm)	C (mm)	Dužina creva (m)
K- 07 10 06 16	12 mm x 8 mm	452,0	400,0	460,0	50