

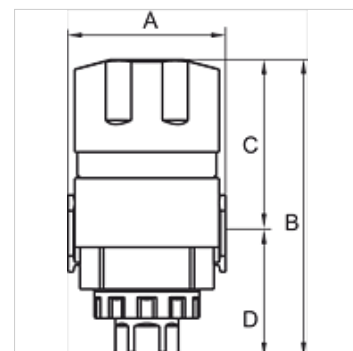
K-3/2 ABSPERRVENTILE HW SCHL G

3/2-way shut-off valve

HANSA FLEX

Osobine

| | |
|----------------------------|--|
| Ulazni pritisak | 0 - 9 bar |
| Temperatura medija | max. 70 °C |
| Temperatura okoline | Max. 70 °C |
| Priključak za odzračivanje | G 3/8 (K-07251214, K-07251215, K-07251216), InG 1/2 (K-07251217, K-07251218) |
| Zaptivni materijal | NBR |
| Kućište | Die-cast-Aluminium |
| Pritega | Plastic |
| Merenje vrednosti protoka | At P1 = 8 bar, P2 = 6 bar and pressure drop $\Delta p = 1$ bar |
| Ostali podaci | User manual on request |



Artikal

| Naziv | Navoj | Protok (L/min) | A (mm) | B | C (mm) | D (mm) | Konstrukciona veličina |
|----------------|-------|----------------|--------|----------|--------|--------|------------------------|
| K- 07 25 12 14 | G 1/4 | 1600 | 51,0 | 112,5 mm | 66,5 | 46,0 | 300 |
| K- 07 25 12 15 | G 3/8 | 2500 | 51,0 | 112,5 mm | 66,5 | 46,0 | 300 |
| K- 07 25 12 16 | G 1/2 | 2500 | 51,0 | 112,5 mm | 66,5 | 46,0 | 300 |
| K- 07 25 12 17 | G 3/8 | 6200 | 63,0 | 134,0 mm | 75,5 | 58,5 | 400 |
| K- 07 25 12 18 | G 1/2 | 6200 | 63,0 | 134,0 mm | 75,5 | 58,5 | 400 |

Pribor

| | |
|-----------------------|-----------------|
| K-VERBINDUNGSELEMENTE | Connecting sets |
| K-WANDHALTER | Wall bracket |
| K-HALTERBAUSATZ | Holder |