

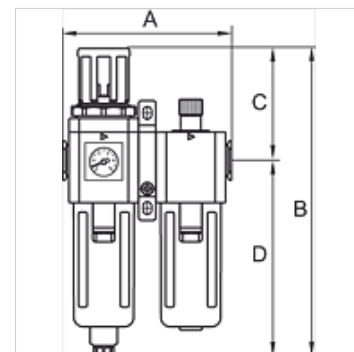
# K-WTEH 2-TLG PC-BEHÄLTER S W H G-MINI

Service units, 2-piece with polycarbonate bowl and joiner for wall mounting, semi-automatic drain valve

**HANSA FLEX**

## Osobine

Ulazni pritisak	Max. 10 bar
Temperatura medija	max. 70 °C
Temperatura okoline	Max. 70 °C
Širina pora u elementu filtera	5 µm
Zapтивni materijal	NBR
Poklopac opruge	POM
Kućište	Die-cast aluminium
Naglavak za kapljanje	Brass/POM
Drain valve	Semi-automatic
Merenje vrednosti protoka	At P1 = 8 bar, P2 = 6 bar and pressure drop $\Delta p = 1$ bar
Ostali podaci	User manual on request



## Artikal

Naziv	Navoj	Opseg regulacije	Protok (L/min)	A (mm)	B	C (mm)	D (mm)	Konstrukciona veličina
K- 07 25 14 09	G 1/8	1.5 - 9 bar	500	88,0	161,0 mm	68,0	93,0	200
K- 07 25 14 10	G 1/4	1.5 - 9 bar	500	88,0	161,0 mm	68,0	93,0	200

## Pribor

K-VERSCHLEI-SATZ	Set of wearing parts
K-ERSATZMEMBRANE	Replacement diaphragm
K-ADAPTERPLATTEN HANSA	Adapter plate HANSA
K-FILTERELEMENT	Filter element
K-VERBINDUNGSELEMENTE	Connecting sets
K-WANDHALTER	Wall bracket