

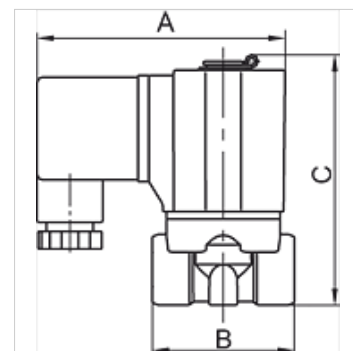
K-MV O (NO) V 230 V, 50 HZ

Normally open, (NO), pilot-operated, 230 V, 50 Hz

HANSA FLEX

Osobine

Priključak na električnu mrežu	device socket type A in acc. with ISO 4400 for all valves with threads G 3/8 & G 1/2, except valves type 3 & 4. Device socket
Opis navoja	G thread acc. DIN EN ISO 228-1
Temperatura medija	max. 80 °C when using water or oils; max. 90 °C when using with air
Vrsta zaštite	IP 65
maks. radni pritisak	7 bar
Zaptivni materijal	FPM
Kučište, sedište ventila	Stainless steel 1.4301
Unutrašnji delovi	Stainless steel



Napomena

Ostali podaci na upit.

Opis

Standard series in two different versions: Directly operated, Pilot-operated

Artikal

Naziv	maks. radni pritisak (bar)	Navoj	NW	A (mm)	B (mm)	C (mm)	Konstrukcija
K- 07 30 01 50	0,50	G 1/2	15,0	70,0	70,0	112,3	4
K- 07 30 01 51	0,50	G 3/4	20,0	70,0	82,0	120,8	4
K- 07 30 01 52	0,50	G 1	25,0	70,0	92,0	129,3	4