

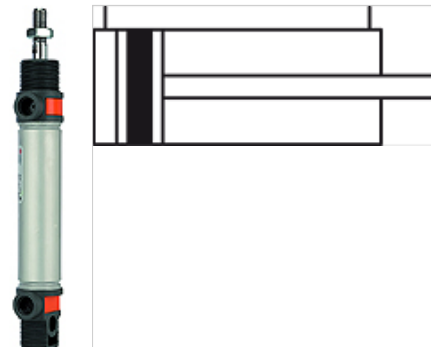
K-RUNDZYLINDER DOPP O E D

Round cylinders, double acting, magnetic, non-cushioned

HANSA FLEX

Osobine

Mediji	Filtered (50 µm), unlubricated or lubricated compressed air. If lubrication is used, it must be continuous.
Radni pritisak	Max. 10 bar
Pritisak reagovanja	0,6 bar
Temperaturni opseg	-10 °C to +60 °C
Konstrukcija	Connection: Aluminium pipe / end caps flanged
Klipnjača	Stainless steel 1.4301 (Ø 16), C45 steel, hard chrome-plated (Ø 20 and Ø 25)
Cev	Aluminium alloy, anodised
Poklopac, dno, vodeća čaura	Technopolymer
Zaptivka klipnjače	PU
Zaptivka klipa	PU



Napomena

Maximum recommended stroke: Ø 16 = stroke 200, Ø 20 and Ø 25 = stroke 500. Longer strokes can result in malfunctions.
Ostali podaci na upit.

Opis

Economy standard version with aluminum pipe and magnet piston.

Dodatne informacije

Important: The scope of supply does not include a connector. Please order separately.

Artikal

Naziv	Ø klipa	Hod (mm)	Priključak	Spoljni navoj klipnjače
K- 07 15 17 62	16 mm	10	M 5	M 6
K- 07 15 17 63	16 mm	25	M 5	M 6
K- 07 15 17 64	16 mm	50	M 5	M 6
K- 07 15 17 65	16 mm	80	M 5	M 6
K- 07 15 17 66	16 mm	100	M 5	M 6
K- 07 15 17 67	16 mm	125	M 5	M 6
K- 07 15 17 68	16 mm	160	M 5	M 6
K- 07 15 17 69	16 mm	200	M 5	M 6
K- 07 15 17 70	20 mm	10	G 1/8	M 8
K- 07 15 17 71	20 mm	25	G 1/8	M 8
K- 07 15 17 72	20 mm	50	G 1/8	M 8
K- 07 15 17 73	20 mm	80	G 1/8	M 8
K- 07 15 17 74	20 mm	100	G 1/8	M 8
K- 07 15 17 75	20 mm	125	G 1/8	M 8
K- 07 15 17 76	20 mm	160	G 1/8	M 8
K- 07 15 17 77	20 mm	200	G 1/8	M 8
K- 07 15 17 78	20 mm	250	G 1/8	M 8
K- 07 15 17 79	20 mm	500	G 1/8	M 8
K- 07 15 17 80	25 mm	10	G 1/8	M 10 x 1.25
K- 07 15 17 81	25 mm	25	G 1/8	M 10 x 1.25
K- 07 15 17 82	25 mm	50	G 1/8	M 10 x 1.25
K- 07 15 17 83	25 mm	80	G 1/8	M 10 x 1.25
K- 07 15 17 84	25 mm	100	G 1/8	M 10 x 1.25
K- 07 15 17 85	25 mm	125	G 1/8	M 10 x 1.25
K- 07 15 17 86	25 mm	160	G 1/8	M 10 x 1.25
K- 07 15 17 87	25 mm	200	G 1/8	M 10 x 1.25
K- 07 15 17 88	25 mm	250	G 1/8	M 10 x 1.25
K- 07 15 17 89	25 mm	500	G 1/8	M 10 x 1.25

Pribor

K-FUSSBEFESTIGUNG 5	Foot model
K-FLANSCHBEFESTIGUNGEN1	Flange model



K-RUNDZYLINDER DOPP O E D

Round cylinders, double acting, magnetic, non-cushioned

