

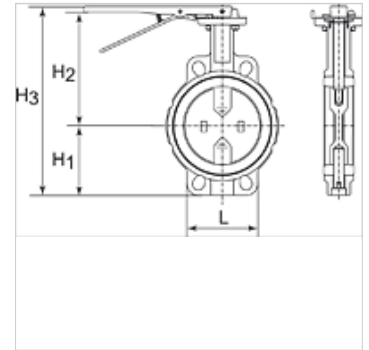
K-ZFL ABSP-KLAPPEN

Butterfly valves

HANSA FLEX

Osobine

Radni pritisak	Max. 16 bar
Radna temperatura	-15 °C to +120 °C
Mediji	Water / steam, salt water, salt water, ester, ketone, alkali, caustic soda, sodium hydroxide. Not recommended for hydrocarbons
Temperaturni opseg	-20 °C to +120 °C
Kućište	Grey cast iron GG25 epoxy resin coated, RAL 5015
Zaptivka	EPDM
Osovina	SS416
Zaptivka osovine	EPDM
Ručna poluga	GG25 epoxy resin coated



Napomena

Ostali podaci na upit.

Artikal

Naziv	Ploča	DN	B (mm)	H1 (mm)	H2 (mm)	H3 (mm)	L (mm)
K- 07 30 03 45	Stainless Steel CF8M/1.4404	40	38,0	68,0	94,0	198,0	94,0
K- 07 30 03 46	Stainless Steel CF8M/1.4404	50	47,0	71,0	143,0	236,0	100,0
K- 07 30 03 47	Stainless Steel CF8M/1.4404	65	49,0	78,0	155,0	255,0	115,0
K- 07 30 03 48	Stainless Steel CF8M/1.4404	80	47,0	89,0	162,0	273,0	127,0
K- 07 30 03 49	Stainless Steel CF8M/1.4404	100	56,0	102,0	178,0	302,0	163,0
K- 07 30 03 50	Stainless Steel CF8M/1.4404	125	59,0	123,0	191,0	336,0	190,0
K- 07 30 03 51	Stainless Steel CF8M/1.4404	150	59,0	138,0	205,0	365,0	216,0