

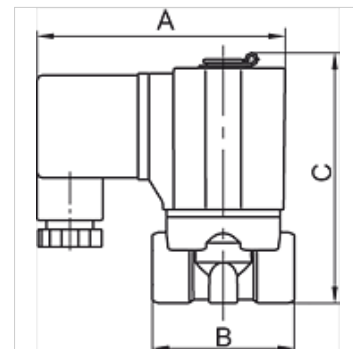
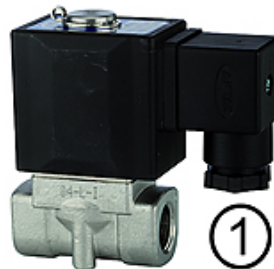
# K-MV G (NC) D 230 V, 50 HZ STA 1

Normally closed, (NC), directly operated, 230 V, 50 Hz, standard type

**HANSA FLEX**

## Osobine

Priključak na električnu mrežu	device socket type A in acc. with ISO 4400 for all valves with threads G 3/8 & G 1/2, except valves type 3 & 4. Device socket
Opis navoja	G thread acc. DIN EN ISO 228-1
Temperatura medija	max. 80 °C when using water or oils; max. 90 °C when using with air
Vrsta zaštite	IP 65
maks. radni pritisak	10 bar
Zaptivni materijal	FKM
Kučiče, sedište ventila	Stainless steel 1.4301
Unutrašnji delovi	Stainless steel
Materijal	sealing: FKM (FPM)



## Napomena

Ostali podaci na upit.

## Opis

Standard series in two different versions: Directly operated, Pilot-operated

## Artikal

Naziv	Navoj	NW	A (mm)	B (mm)	C (mm)	Konstrukcija
K- 07 30 01 12	G 1/8	3,0	70,0	40,0	70,7	1
K- 07 30 01 13	G 1/4	3,0	70,0	40,0	70,7	1
K- 07 30 01 14	G 3/8	5,0	85,0	52,0	87,0	1
K- 07 30 01 15	G 1/2	5,0	85,0	52,0	87,0	1