

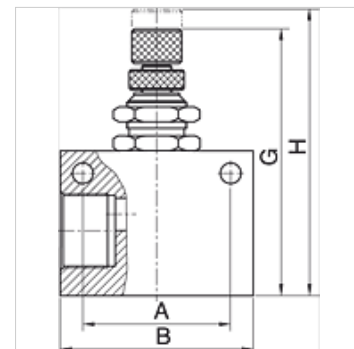
K-DRV 1

Unidirectional flow control valves

HANSA FLEX

Osobine

Radni pritisak	maks. 10 bara
Radna temperatura	Max. 70 °C
Zaptivni materijal	NBR
Kućište	Aluminium
Unutrašnji delovi	Aluminium/Brass



Napomena

Ostali podaci na upit.

Artikal

Naziv	Navoj	A (mm)	B (mm)	G (mm)	H (mm)
K- 07 30 12 32	G 1/8	22,0	32,0	46,90	52,3
K- 07 30 12 33	G 1/4	26,0	36,0	50,80	56,3
K- 07 30 12 34	G 3/8	35,0	50,0	65,00	74,0
K- 07 30 12 35	G 1/2	35,0	50,0	65,00	74,0