

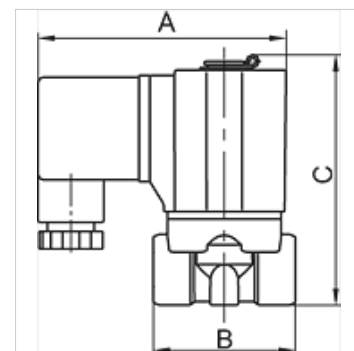
K-MV G (NC) D 24 V DC STA 1

Normally closed, (NC), directly operated, 24 V DC, standard type

HANSA FLEX

Osobine

Priključak na električnu mrežu	device socket type A in acc. with ISO 4400 for all valves with threads G 3/8 & G 1/2, except valves type 3 & 4. Device socket
Vrsta zaštite	IP 65
Temperatura medija	max. 80 °C when using water or oils; max. 90 °C when using with air
Opis navoja	G thread acc. DIN EN ISO 228-1
Kućište, sedište ventila	Brass
Unutrašnji delovi	Stainless steel
Zaptivka	FPM



Napomena

Ostali podaci na upit.

Opis

Standard series in two different versions: Directly operated, Pilot-operated. For all applications with compressed air, neutral gases or low-viscosity, neutral media.

Artikal

Naziv	Navoj	maks. radni pritisak (bar)	NW	A (mm)	B (mm)	C (mm)	Konstrukcija
K- 07 30 01 64	G 1/8	10	3,0	70,0	40,0	70,7	1
K- 07 30 01 65	G 1/4	10	3,0	70,0	40,0	70,7	1
K- 07 30 01 66	G 3/8	10	5,0	85,0	52,0	87,0	1
K- 07 30 01 67	G 1/2	10	5,0	85,0	52,0	87,0	1