

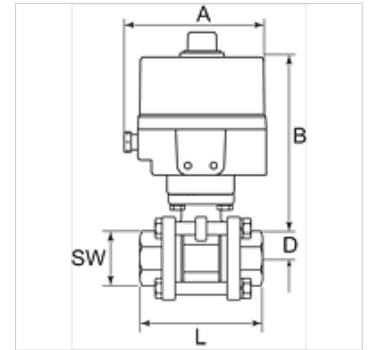
# K-BKR ELK 230 VAC, 50 HZ

Stainless steel ball valves with electric actuator 230 VAC, 50 Hz

**HANSA FLEX**

## Osobine

Temperatura medija	-20 °C to +70 °C
Radni pritisak	max. 63 bar (depending on temperature and nominal size)
Radni ciklus	ED 30 %
Vlažnost vazduha	30 % to 95 %
Položaji elementa za uključivanje	Manually operated
Klasa zaštite	IP 67
Vreme podešavanja	13 sec. = 230 VAC, 50 Hz 15 sec. = 24 VDC
Temperatura okoline	-20 °C do +60 °C
Ugradna dužina	DIN 3203 - M3
Montažna prirubnica	ISO 5211
Kućiče	Aluminium, powder-coated
Kuglični ventil	Stainless steel 1.4401/1.4408
Zaptivka kugle	PTFE, glass fibre-reinforced
Zaptivka komutacione osovine	PTFE, glass fibre-reinforced



## Napomena

Ostali podaci na upit.

## Opis

Voltage range 230 VAC, 50 Hz or 24 VDC. <br>Reversible electric rotary actuator.

## Artikal

Naziv	DN	Navoj	A (mm)	B (mm)	D (mm)	L (mm)	SW (mm)
K- 07 30 20 58	15	Rp 1/2	152,0	191,0	24,0	75,0	29
K- 07 30 20 59	20	Rp 3/4	152,0	195,0	26,0	80,0	35
K- 07 30 20 60	25	Rp 1	152,0	203,0	29,0	90,0	41
K- 07 30 20 61	32	Rp 1 1/4	152,0	209,0	36,0	110,0	50
K- 07 30 20 62	40	Rp 1 1/2	152,0	219,0	40,0	120,0	58
K- 07 30 20 63	50	Rp 2	152,0	275,0	48,0	140,0	72