

K-W90BK MINI

angle mini ball valves

HANSA FLEX

Osobine

Oblast primene Compressed air, water, oil

Radni pritisak -0,99 bar - 20 bar

Radna temperatura -20 °C to +80 °C

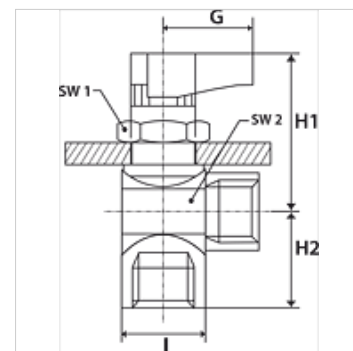
Opis navoja G thread acc. DIN EN ISO 228-1

Kućište i kugla Chrome-plated brass

Ručna poluga PA 66 glass fibre-reinforced

Zaptivka kugle PTFE

Zaptivka vretena NBR



Napomena

Ostali podaci na upit.

Artikal

Naziv	DN	Navoj	G (mm)	H1 (mm)	H2 (mm)	L (mm)	SW1 (mm)	SW2 (mm)
K- 07 30 29 84	5	G 1/8 female	19,00	33,5	15,5	28,5	17	17
K- 07 30 29 85	5	G 1/4 female	19,00	33,5	17,5	28,5	17	17
K- 07 30 29 86	7	G 3/8 female	19,00	35,0	19,5	31,0	17	21