

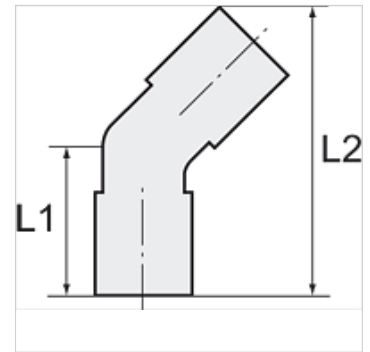
K-STECKVERSCHR 45° DRE AG OR

45° union elbows, swivel type, parallel male thread with O-ring

HANSA FLEX

Osobine

Radni pritisak	Max. 15 bar, coarse vacuum
Oblast primene	Air, vacuum
preporučena creva	PU or PA (nylon)
Mediji	Compressed air and all gases or liquids that are compatible with the materials
Temperaturni opseg	-20 °C to +80 °C
Zapтивna površina	Parallel version: O-ring in housing
Materijal	Plastic, Nickel plated brass
Pritisni prsten	Plastic



Napomena

Ostali podaci na upit.

Opis

Push-in fittings series manufactured in plastic and nickel-plated brass. All parts are suitable for use with hoses, tubes or pipes made of plastic and copper.

Artikal

Naziv	Navoj	Ø mm za crevo spolja	L1 (mm)	L2 (mm)	SW
K- 07 40 05 47	M 5	4 mm	20,2	34,7	10 mm
K- 07 40 05 48	M 5	6 mm	21,9	36,1	12 mm
K- 07 40 05 59	G 1/8	4 mm	23,2	39,0	12 mm
K- 07 40 05 60	G 1/8	6 mm	24,4	42,0	14 mm
K- 07 40 05 61	G 1/8	8 mm	27,1	47,5	14 mm
K- 07 40 05 58	G 1/8	10 mm	29,7	53,1	17 mm
K- 07 40 05 55	G 1/4	4 mm	24,7	40,5	12 mm
K- 07 40 05 56	G 1/4	6 mm	25,9	43,5	14 mm
K- 07 40 05 57	G 1/4	8 mm	28,6	49,0	17 mm
K- 07 40 05 53	G 1/4	10 mm	30,7	54,1	17 mm
K- 07 40 05 54	G 1/4	12 mm	32,8	60,4	21 mm
K- 07 40 05 64	G 3/8	6 mm	26,2	45,0	14 mm
K- 07 40 05 65	G 3/8	8 mm	30,1	50,5	20 mm
K- 07 40 05 62	G 3/8	10 mm	32,2	55,6	20 mm
K- 07 40 05 63	G 3/8	12 mm	33,8	61,4	21 mm
K- 07 40 05 51	G 1/2	6 mm	30,9	48,5	14 mm
K- 07 40 05 52	G 1/2	8 mm	33,6	54,0	24 mm
K- 07 40 05 49	G 1/2	10 mm	35,7	59,1	19 mm
K- 07 40 05 50	G 1/2	12 mm	37,3	64,9	24 mm