

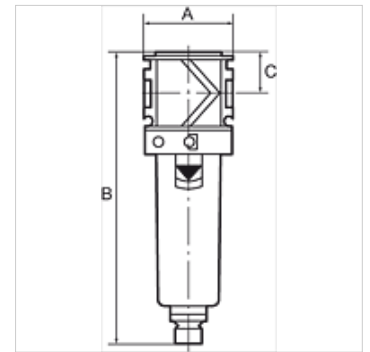
K-FI MIKRO PC-BEHÄL SCHU VARIOBLOC

Micro-filters with polycarbonate bowl and bowl guard

HANSA FLEX

Osobine

Ulazni pritisak	Max. 16 bar (polycarbonate bowl), Max. 20 bar (metal bowl)
Temperatura medija	max. 50 °C
Temperatura okoline	Max. 50 °C (polycarbonate bowl), Max. 80 °C (metal bowl)
Filterska jedinica	0,01 µm
Kvalitet vazduha ISO 85731	Class 1 dirt, class 1 oil
Stepen dejstva	99.999 %
Merenje vrednosti protoka	At P1 = 7 bar and pressure drop $\Delta p = 0,1$ bar



Napomena

Ostali podaci na upit.

Opis

Borosilicate filter for all applications where compliance with strict compressed air purity requirements is vital. As the second stage downstream of the standard filter, the micro-filter removes 99.999 % of even the finest remaining particles from water, oil and dirt with practically zero residues (filter rating: 0.01 µm).

Napomene u vezi porudžbine

Micro-filters are also available with bowl guard or metal bowl.

Artikal

Naziv	Navoj	Protok (L/min)	A (mm)	B	C (mm)
K- 07 25 22 96	G 1/4	370	48,0	155,0 mm	22,0
K- 07 25 22 95	G 3/8	420	48,0	155,0 mm	22,0
K- 07 25 22 94	G 1/2	1000	70,0	202,0 mm	26,0
K- 07 25 22 93	G 3/4	1100	70,0	202,0 mm	26,0
K- 07 25 22 92	G 1	1100	124,0	202,0 mm	26,0