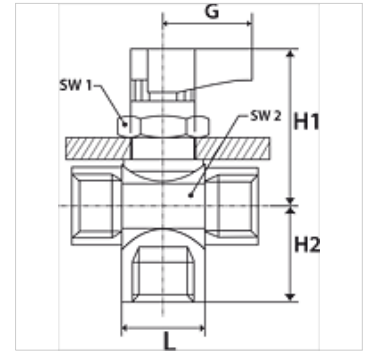


K-3 BKR MINI T

3-way mini ball valves, T-Bore

Osobine

Oblast primene	Compressed air, water, oil
Radni pritisak	-0,99 bar - 20 bar
Radna temperatura	-20 °C to +80 °C
Opis navoja	G thread acc. DIN EN ISO 228-1
Kućište i kugla	Chrome-plated brass
Ručna poluga	PA 66 glass fibre-reinforced
Zaptivka kugle	PTFE
Zaptivka vretena	NBR



Napomena

Ostali podaci na upit.

Artikal

Naziv	DN	Navoj	G (mm)	H1 (mm)	H2 (mm)	L (mm)	SW1 (mm)	SW2 (mm)
K- 07 30 29 90	5	G 1/8 female	19,00	33,5	15,5	35,0	17	17
K- 07 30 29 91	5	G 1/4 female	19,00	33,5	17,5	37,0	17	17
K- 07 30 29 92	7	G 3/8 female	19,00	35,0	19,5	42,0	17	21