

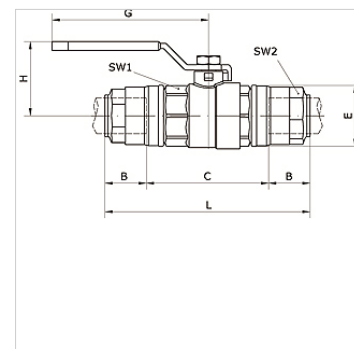
K-2-BK V DURCHG 20-63 INFI

2/2-way ball valve Ø 20 mm - Ø 63 mm full bore

HANSA FLEX

Osobine

Mediji	Compressed air, vacuum, inert gases
Radni pritisak	-0,99 bar - 15 bar
Temperaturni opseg	-20 °C to +80 °C
Zaptivka	NBR
Kućište	Nickel-plated brass
Stezni prsten	Stainless steel 1.4301
Navrtka	Nickel-plated brass
O-prsten	NBR
Sigurnosni prsten	Technopolymer



Artikal

Naziv	Cev spolja Ø	B (mm)	C (mm)	DN	E (mm)	G (mm)	H (mm)	L (mm)	SW1 (mm)	SW2 (mm)
K- 07 40 54 36	20 mm	31,5	58,5	17	34,5	88	42,0	121,5	32	30
K- 07 40 54 37	25 mm	38,5	61,5	22	42,5	106	47,5	138,5	41	35
K- 07 40 54 38	32 mm	46,0	75,0	29	52,0	106	53,0	167,0	50	45
K- 07 40 54 39	40 mm	52,5	81,0	37	63,0	134	65,0	186,0	59	55
K- 07 40 54 40	50 mm	63,5	103,0	46	73,0	134	72,5	230,0	69	65