

K-2-BK V DURCHG INFI

2/2-way ball valve Ø 20 mm - Ø 63 mm full bore

HANSA FLEX

Osobine

Mediji Compressed air, vacuum, inert gases

Radni pritisak -0,99 bar - 15 bar

Temperaturni opseg -20 °C to +80 °C

Zaptivka NBR

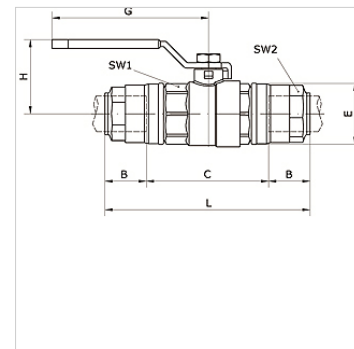
Kučište Nickel-plated brass

Stezni prsten Stainless steel 1.4301

Navrtka Aluminium

O-prsten NBR

Sigurnosni prsten Technopolymer



Artikal

Naziv	Cev spolja Ø	B (mm)	C (mm)	DN	E (mm)	G (mm)	H (mm)	L (mm)	SW1 (mm)	SW2 (mm)
K- 07 40 55 05	63 mm	57,5	38,0	59	94,0	240	111,5	232,0	89	75