

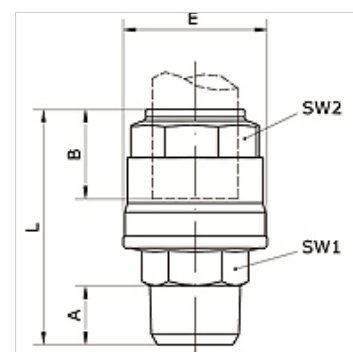
K-G-STECK VB 20-63 AG INFI

Straight push-in connector Ø 20 mm – Ø 63 mm with external thread

HANSA FLEX

Osobine

Mediji	Compressed air, vacuum, inert gases
Radni pritisak	-0,99 bar - 15 bar
Temperaturni opseg	-20 °C to +80 °C
Zaptivka	NBR
Kućište	Aluminium
Stezni prsten	Stainless steel 1.4301
Navrtka	Aluminium
O-prsten	NBR
Sigurnosni prsten	Technopolymer



Artikal

Naziv	Cev spolja Ø	Priključak	A (mm)	B (mm)	E (mm)	L (mm)	SW1 (mm)	SW2 (mm)
K- 07 40 54 95	63 mm	R 2	24,0	57,5	94,0	109,5	65	75
K- 07 40 54 96	63 mm	R 2 1/2	24,0	57,5	94,0	106,5	75	75