

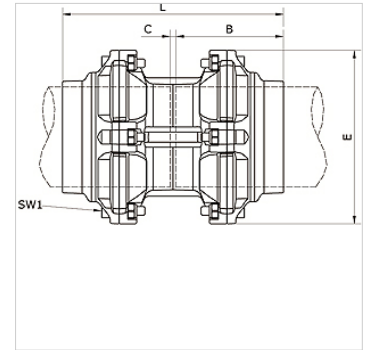
# K-G-STECK VB 80-100 INFI

Straight push-in connector Ø 80 mm/Ø 110 mm

**HANSA FLEX**

## Osobine

Mediji	Compressed air, vacuum, inert gases
Radni pritisak	-0,99 bar - 15 bar
Temperaturni opseg	-20 °C to +80 °C
Prsten za vođenje	Technopolymer
Kućište	Aluminium, treated surface
Imbus zavrtnj	Galvanised steel
Stezni prsten	Stainless steel 1.4301
Navrtka	Aluminium, surface treated
O-prsten	NBR
samoosiguravajuća navrtka	Galvanised steel
Sigurnosni prsten	Technopolymer



## Artikal

Naziv	Cev spolja Ø	B (mm)	C (mm)	E (mm)	L (mm)	SW1 (mm)
K- 07 40 55 14	80 - 80 mm	91,0	3,5	145,0	186,0	6
K- 07 40 54 65	110 - 110 mm	125,5	4,0	200,0	255,0	8