

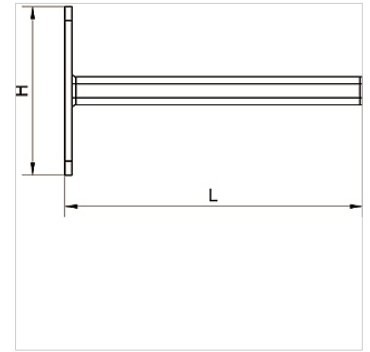
K-KONSOLE STAHL VS INFI

Console made of steel galvanized

HANSA FLEX

Osobine

Materijal Galvanised steel



Artikal

| Naziv | H (mm) | L (mm) | Dužina (m) |
|----------------|-----------|-----------|---------------|
| K- 07 40 54 90 | 120,0 | 280,0 | 0,280 |