

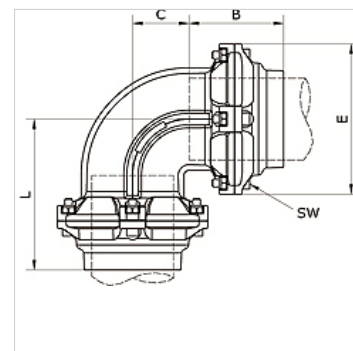
K-W90 STECK VB 80-100 INFI

90°-elbow push-in connector Ø 80 mm/Ø 110 mm

HANSA FLEX

Osobine

Mediji	Compressed air, vacuum, inert gases
Radni pritisak	-0,99 bar - 15 bar
Temperaturni opseg	-20 °C to +80 °C
Prsten za vođenje	Technopolymer
Kućište	Aluminium, treated surface
Stezni prsten	Stainless steel 1.4301
Navrtka	Aluminium, surface treated
O-prsten	NBR
samoosiguravajuća navrtka	Galvanised steel
Sigurnosni prsten	Technopolymer



Artikal

Naziv	Cev spolja Ø	B (mm)	C (mm)	E (mm)	L (mm)	SW (mm)
K- 07 40 55 15	80 - 80 mm	91,0	54,5	145,0	146,0	6
K- 07 40 54 66	110 - 110 mm	125,5	75,0	200,0	200,5	8