

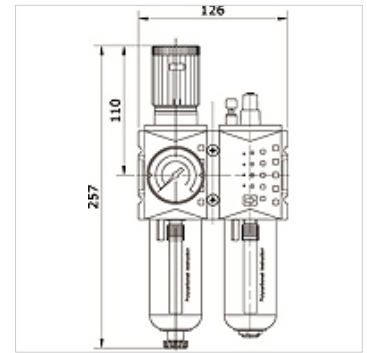
# K-WTEH 2-TEILIG HANSA PRO

2-part service unit, with manual/semi-automatic condensate drain and pressure gauge, HANSA PRO

**HANSA FLEX**

## Osobine

<b>Izlazni pritisak</b>	Pa 0,5 - 8 bar (Standard) Pa 0,1 - 1 bar Pa 0,1 - 2 bar Pa 0,2 - 4 bar Pa 0,5 - 10 bar Pa 0,5 - 16 bar
<b>Temperatura medija</b>	-10 °C to +50 °C
<b>Temperatura okoline</b>	-10 °C to +50 °C
<b>Mediji</b>	Komprimovani vazduh
<b>Konstrukcija</b>	Diaphragm pressure regulator with relieving, centrifugal filter, mist lubricator
<b>Vrsta pričvršćivanje</b>	Line mounting, panel mounting, mounting kit or wall mounting
<b>Aktiviranje / osigurač</b>	lockable handwheel
<b>Položaj ugradnje</b>	Vertical, drain down
<b>Filterska jedinica</b>	5,00 µm
<b>Priključak za manometar</b>	G 1/4 i
<b>maks. količina kondenzata</b>	49 cc
<b>maks. količina punjenja ulja</b>	80 cc
<b>Nominalni protok G 1/2</b>	3.500 l/min (P1 = 10 bar, P2 = 6,3 bar/Delta P = 1 bar)
<b>Nominalni protok G 3/8</b>	3.500 l/min (P1 = 10 bar, P2 = 6,3 bar/Delta P = 1 bar)
<b>Dozir. ulja pri qv=1000 l/min</b>	1-2 drops / min (guideline)
<b>PE maks 12</b>	16 bar
<b>Elementa filtera</b>	Cellpor
<b>Kućište</b>	PA66
<b>Membrana, zaptivke</b>	Ms/NBR/PA6
<b>Naglavak za kapljanje</b>	Polycarbonate
<b>Vrsta ulja</b>	CL 32 acc. to DIN 51517 - ISO VG 32



## Artikal

Naziv	Priključak	Opseg regulacije	Područja prikazivanja	Posuda	Konstrukciona veličina	Ispust kondenzata
K- 07 25 21 88	G 3/8 i	0.1 - 1 bar	0 - 1,6 bar	polycarbonate with protective cage	2	manual / semi-automatic
K- 07 25 21 89	G 3/8 i	0.1 - 2 bar	0 - 2,5 bar	polycarbonate with protective cage	2	manual / semi-automatic
K- 07 25 21 90	G 3/8 i	0.2 - 4 bar	0 - 6 bar	polycarbonate with protective cage	2	manual / semi-automatic
K- 07 25 21 91	G 3/8 i	0.5 - 8 bar	0 - 10 bar	polycarbonate with protective cage	2	manual / semi-automatic
K- 07 25 21 92	G 3/8 i	0.5 - 10 bar	0 - 16 bar	polycarbonate with protective cage	2	manual / semi-automatic
K- 07 25 21 93	G 3/8 i	0.5 - 16 bar	0 - 25 bar	polycarbonate with protective cage	2	manual / semi-automatic
K- 07 25 21 94	G 1/2 i	0.1 - 1 bar	0 - 1,6 bar	polycarbonate with protective cage	2	manual / semi-automatic
K- 07 25 21 95	G 1/2 i	0.1 - 2 bar	0 - 2,5 bar	polycarbonate with protective cage	2	manual / semi-automatic
K- 07 25 21 96	G 1/2 i	0.2 - 4 bar	0 - 6 bar	polycarbonate with protective cage	2	manual / semi-automatic
K- 07 25 21 97	G 1/2 i	0.5 - 8 bar	0 - 10 bar	polycarbonate with protective cage	2	manual / semi-automatic
K- 07 25 21 98	G 1/2 i	0.5 - 10 bar	0 - 16 bar	polycarbonate with protective cage	2	manual / semi-automatic
K- 07 25 21 99	G 1/2 i	0.5 - 16 bar	0 - 25 bar	polycarbonate with protective cage	2	manual / semi-automatic
K- 07 25 22 00	G 3/8 i	0.1 - 1 bar	0 - 1,6 bar	zinc with visual display	2	manual / semi-automatic
K- 07 25 22 01	G 3/8 i	0.1 - 2 bar	0 - 2,5 bar	zinc with visual display	2	manual / semi-automatic
K- 07 25 22 02	G 3/8 i	0.2 - 4 bar	0 - 6 bar	zinc with visual display	2	manual / semi-automatic
K- 07 25 22 03	G 3/8 i	0.5 - 8 bar	0 - 10 bar	zinc with visual display	2	manual / semi-automatic
K- 07 25 22 04	G 3/8 i	0.5 - 10 bar	0 - 16 bar	zinc with visual display	2	manual / semi-automatic
K- 07 25 22 05	G 3/8 i	0.5 - 16 bar	0 - 25 bar	zinc with visual display	2	manual / semi-automatic
K- 07 25 22 06	G 1/2 i	0.1 - 1 bar	0 - 1,6 bar	zinc with visual display	2	manual / semi-automatic
K- 07 25 22 07	G 1/2 i	0.1 - 2 bar	0 - 2,5 bar	zinc with visual display	2	manual / semi-automatic
K- 07 25 22 08	G 1/2 i	0.2 - 4 bar	0 - 6 bar	zinc with visual display	2	manual / semi-automatic
K- 07 25 22 09	G 1/2 i	0.5 - 8 bar	0 - 10 bar	zinc with visual display	2	manual / semi-automatic
K- 07 25 22 10	G 1/2 i	0.5 - 10 bar	0 - 16 bar	zinc with visual display	2	manual / semi-automatic
K- 07 25 22 11	G 1/2 i	0.5 - 16 bar	0 - 25 bar	zinc with visual display	2	manual / semi-automatic