

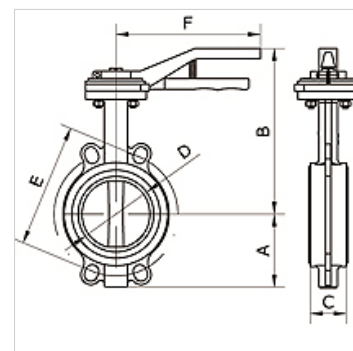
K-ZWFL ABSPRKL 80-100 INFI

Intermediate flange-butterfly valve Ø 80 mm/Ø 110 mm

HANSA FLEX

Osobine

Materijal Cast-iron



Artikal

Naziv	Ø mm za cev spolja	A (mm)	B (mm)	C (mm)	D (mm)	E (mm)	F (mm)
K- 07 40 55 27	80	87,0	216,0	46,0	77	160,0	210,0
K- 07 40 54 62	110	106,0	201,0	52,0	100	180,0	210,0