

# K-BEFESTIGUNGSELEMENTE PF3W

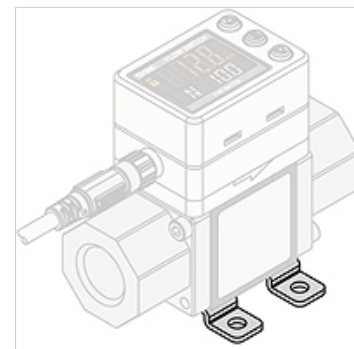
mounting element PF3W

**HANSA FLEX**

## Osobine

Seriya PF3W

Ostali podaci Accessories for Digital Flow Switch PF3W



## Opis

Mount, for PF3W704/720, including 4 self-tapping screws (3 x 8)

## Artikal

| Naziv          | Verzija                             | Definicija                       |
|----------------|-------------------------------------|----------------------------------|
| K- 07 60 00 26 | including 4-tapping screws (3 x 8)  | Mounting element for PF3W704/720 |
| K- 07 60 00 27 | including 4-tapping screws (3 x 8)  | Mounting element for PF3W740     |
| K- 07 60 00 28 | including 4-tapping screws (4 x 10) | Mounting element for PF3W711     |