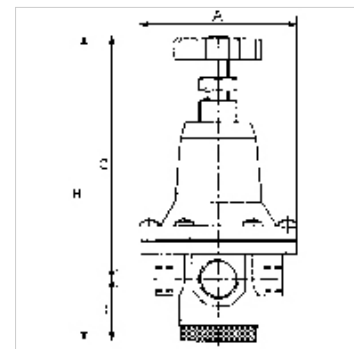


K-DBV MANO 1/2"

Pressure limiting valves size 1/2"

Osobine

Konstrukcija	Spring-loaded, non-return diaphragm valve with adjustable opening pressure
Temperatura medija	max. 60 °C
Temperatura okoline	Max. 60 °C
Zaptivni materijal	NBR
Poklopac opruge	POM/brass
Kućište	Die-cast zinc, painted silver
Membrana	NBR



Napomena

Ostali podaci na upit.

Opis

Manually adjustable overflow valves. For protecting pneumatic systems against damage caused by excess pressure.

Artikal

Naziv	Navoj	Opseg regulacije	A (mm)	B	C (mm)	D (mm)
K- 07 25 01 97	G 1/2	0.5 - 3.0 bar	82,0	162,0 mm	129,0	33,0
K- 07 25 01 98	G 1/2	0.5 - 5.5 bar	82,0	162,0 mm	129,0	33,0
K- 07 25 01 99	G 1/2	0.5 - 10.0 bar	82,0	162,0 mm	129,0	33,0

Rezervni delovi

K-HALTERBAUSATZ STANDARD	Holder
K-GERAETESTECKER	Coupling socket
K-SCHALLDAE SINTERBR AG 569	Silencers, sintered bronze, flat type with male thread, 569 Series
K-VERSCHLEI-SATZ	Set of wearing parts
K-KM MS	Hexagonal lock nuts, brass