

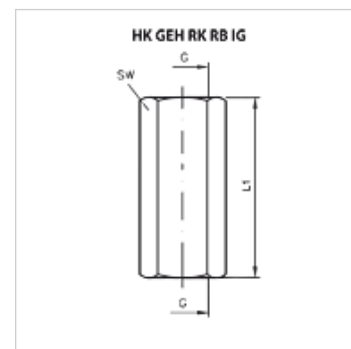
# HK GEH RK RB IG

Kućište za nepovratni ventil RK/RB

## Osobine

Materijal Galvanised steel

Radni pritisak maks. 700 bara



## Artikal

Naziv	G	L1 (mm)	SW (mm)	Težina (kg)
HK GEH RKR B 0 IG	G 1/8"	28,0	14	0,02
HK GEH RKR B 1 IG	G 1/4"	43,0	19	0,05
HK GEH RKR B 2 IG	G 3/8"	44,0	22	0,07
HK GEH RKR B 3 IG	G 1/2"	56,0	27	0,11
HK GEH RKR B 4 IG	G 3/4"	65,0	36	0,26

## Pribor

HK RB Nepovratni ventil RB

HK RK Nepovratni ventil RK