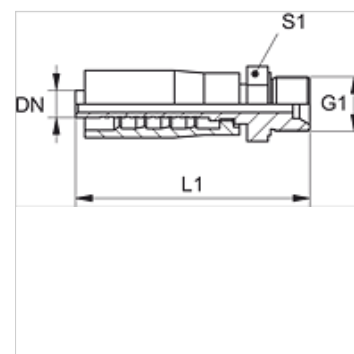


## Osobine

|                           |   |
|---------------------------|---|
| <b>Priključak 1</b>       | BSP spoljni cilindrični navoj           |
| <b>Oblik zaptivke 1</b>   | 60° unutrašnji konus                    |
| <b>Skraćenica</b>         | AGR                                     |
| <b>Norma</b>              | ISO 8434-6<br>BS 5200                   |
| <b>Obim isporuke</b>      | Pritisna nazuvica + pritisni priključak |
| <b>Materijal</b>          | čelik                                   |
| <b>Površinska zaštita</b> | galvanska prevlaka                      |



## Artikal

| Naziv                | DN | Veličina | col  | G1     | L1<br>(mm) | S1 |
|----------------------|----|----------|------|--------|------------|----|
| <b>PAY 506 HB</b>    | 6  | 4        | 1/4" | G 1/4" | 62,6       | 19 |
| <b>PAY 506 HB 10</b> | 6  | 4        | 1/4" | G 3/8" | 65,0       | 22 |
| <b>PAY 510 HB</b>    | 10 | 6        | 3/8" | G 3/8" | 72,0       | 22 |
| <b>PAY 513 HB</b>    | 12 | 8        | 1/2" | G 1/2" | 82,0       | 27 |
| <b>PAY 520 HB</b>    | 19 | 12       | 3/4" | G 3/4" | 96,2       | 32 |
| <b>PAY 525 HB</b>    | 25 | 16       | 1"   | G 1"   | 104,5      | 41 |