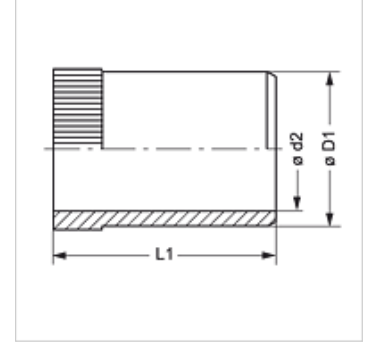
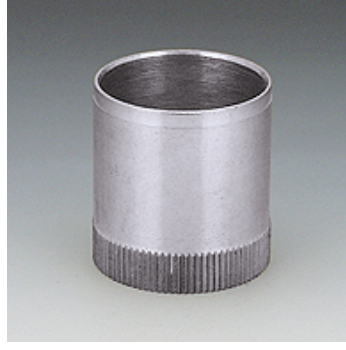


Özellikler

Model	Güçlendirme fişegi
Malzeme	Çelik
Yüzey koruması	galvaniz kaplı



Ürün

Tanım	Borunun iç çapı için (mm)	Ø D1 (mm)	Ø d2 (mm)	L1 (mm)
VSH 4 ID	4,0	3,8	2,6	15,5
VSH 04.5 ID	4,5	4,3	3,1	14,0
VSH 5 ID	5,0	4,8	3,6	14,0
VSH 6 ID	6,0	5,8	4,6	15,5
VSH 7 ID	7,0	6,8	5,6	17,0
VSH 8 ID	8,0	7,8	6,6	16,5
VSH 9 ID	9,0	8,8	7,6	16,5
VSH 10 ID	10,0	9,8	8,6	16,5
VSH 12 ID	12,0	11,8	10,2	17,0
VSH 13 ID	13,0	12,8	11,2	17,0
VSH 14 ID	14,0	13,8	12,2	17,0
VSH 15 ID	15,0	14,8	13,2	17,5
VSH 16 ID	16,0	15,8	14,2	17,5
VSH 17 ID	17,0	16,8	15,2	18,0
VSH 18 ID	18,0	17,8	16,2	22,0
VSH 19 ID	19,0	18,8	17,2	18,0
VSH 20 ID	20,0	19,8	18,2	18,0
VSH 21 ID	21,0	20,8	19,2	20,0
VSH 22 ID	22,0	21,8	20,2	23,5
VSH 24 ID	24,0	23,8	22,2	18,0
VSH 25 ID	25,0	24,8	23,2	18,0
VSH 26 ID	26,0	25,8	24,2	21,0
VSH 27 ID	27,0	26,8	25,2	21,0
VSH 30 ID	30,0	29,8	27,2	21,0
VSH 31 ID	31,0	30,8	28,8	22,5
VSH 32 ID	32,0	31,8	29,2	22,5
VSH 33 ID	33,0	32,8	30,2	22,5
VSH 38 ID	38,0	37,8	35,8	23,5

Ürün türleri

VSH MG	Borular için Takviye Kovanı, Pirinç
VSH VA	Borular için Takviye Kovanı, Paslanmaz çelik