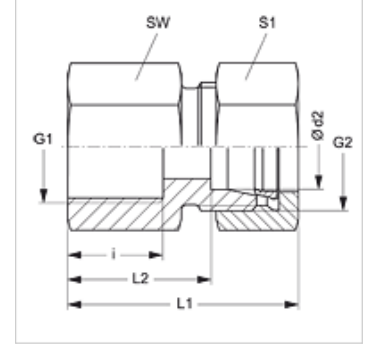


Özellikler

Bağlantı 1	metrik iç dış, silindirik
Sızdırmazlık şekli 1	Form A
Bağlantı 2	metrik dış dış, silindirik
Sızdırmazlık şekli 2	24° içe havşalı
Model	Metrik Lüle
Dizayn	düz
Standart	DIN 2353 ISO 8434-1
Teslimat kapsamı	Gövde (Somun ve Yüzlüklü)
Malzeme	Çelik
Yüzey koruması	galvaniz kaplı



Açıklama

Montaj, Basınç Değeri ve izin verilen Çalışma Sıcaklıkları ile ilgili Bilgiler için Lütfen Boru Bağlantı Teknik Bilgilerine Bakınız.

Ürün

Tanım	Tip	Çalışma basıncı bar	Ø d2 (mm)	G1	G2	i (mm)	L1 (mm)	L2 (mm)	SW (mm)	S1
GAM NW 04 HL	L	PN 315	6	M 10 x 1	M 12 x 1,5	12,5	34,5	19,5	14	14
GAM NW 04 HL 22	L	PN 315	6	M 22 x 1,5	M 12 x 1,5	12,0	35,0	20,0	27	14
GAM NW 06 HL	L	PN 315	8	M 12 x 1,5	M 14 x 1,5	17,5	39,0	24,0	17	17
GAM NW 06 HL 22	L	PN 315	8	M 22 x 1,5	M 14 x 1,5	12,0	35,0	20,0	27	17
GAM NW 08 HL	L	PN 315	10	M 14 x 1,5	M 16 x 1,5	17,0	40,0	25,0	19	19
GAM NW 08 HL 22	L	PN 315	10	M 22 x 1,5	M 16 x 1,5	12,0	36,0	21,0	27	19
GAM NW 10 HL	L	PN 315	12	M 16 x 1,5	M 18 x 1,5	17,0	41,0	26,0	22	22
GAM NW 10 HL 18	L	PN 315	12	M 18 x 1,5	M 18 x 1,5	17,0	41,0	26,0	22	22
GAM NW 10 HL 22	L	PN 315	12	M 22 x 1,5	M 18 x 1,5	12,0	36,0	21,0	27	22
GAM NW 13 HL	L	PN 315	15	M 18 x 1,5	M 22 x 1,5	17,0	42,0	27,0	24	27
GAM NW 13 HL 22	L	PN 315	15	M 22 x 1,5	M 22 x 1,5	17,0	42,0	27,0	24	27
GAM NW 16 HL	L	PN 315	18	M 22 x 1,5	M 26 x 1,5	19,0	45,0	28,5	27	32
GAM NW 20 HL	L	PN 160	22	M 26 x 1,5	M 30 x 2	21,0	50,0	33,5	32	36
GAM NW 25 HL	L	PN 160	28	M 33 x 2	M 36 x 2	24,0	53,0	36,5	41	41
GAM NW 32 HL	L	PN 160	35	M 42 x 2	M 45 x 2	26,0	60,0	38,5	50	50
GAM NW 40 HL	L	PN 160	42	M 48 x 2	M 52 x 2	28,0	63,0	40,0	55	60
GAM NW 03 HS	S	PN 400	6	M 12 x 1,5	M 14 x 1,5	17,0	41,0	26,0	17	17
GAM NW 04 HS	S	PN 400	8	M 14 x 1,5	M 16 x 1,5	17,0	41,0	26,0	19	19
GAM NW 06 HS	S	PN 400	10	M 16 x 1,5	M 18 x 1,5	17,0	43,0	26,5	22	22
GAM NW 08 HS	S	PN 400	12	M 18 x 1,5	M 20 x 1,5	17,0	43,0	26,5	24	24
GAM NW 10 HS	S	PN 400	14	M 20 x 1,5	M 22 x 1,5	19,0	49,0	31,0	27	27
GAM NW 13 HS	S	PN 400	16	M 22 x 1,5	M 24 x 1,5	19,0	49,0	30,5	30	30
GAM NW 16 HS	S	PN 315	20	M 27 x 2	M 30 x 2	22,0	56,0	34,5	36	36
GAM NW 20 HS	S	PN 315	25	M 33 x 2	M 36 x 2	24,0	61,0	37,0	41	46
GAM NW 25 HS	S	PN 315	30	M 42 x 2	M 42 x 2	26,0	68,0	41,5	55	60
GAM NW 32 HS	S	PN 250	38	M 48 x 2	M 52 x 2	28,0	74,0	43,0	60	60

Model: LL = Çok hafif L = Hafif S = Ağır - PN=Çalışma Basıncı PB=Patlama Basıncı - çap d2 = Boru dış çapı

Ürün türleri

GAM VA	Metrik Lüle, Paslanmaz çelik
XGAM	Metrik Lüle, Çelik