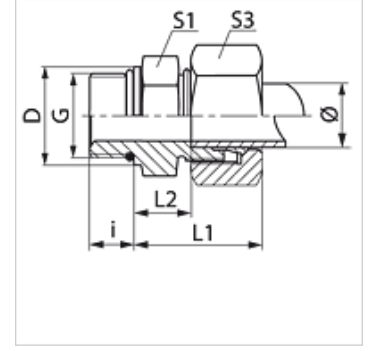


Özellikler

Bağlantı 1	metrik dış diş, silindirik
Sızdırmazlık şekli 1	Form F
Bağlantı 2	metrik dış diş, silindirik
Sızdırmazlık şekli 2	24° içe havşalı
Model	Blok Bağlantı
Dizayn	düz
Standart	ISO 8434-1
Teslimat kapsamı	Gövde (Somun ve Yüzüklü)
Malzeme	Çelik
Yüzey koruması	galvaniz kaplı



Açıklama

Montaj, Basınç Değeri ve izin verilen Çalışma Sıcaklıkları ile ilgili Bilgiler için Lütfen Boru Bağlantı Teknik Bilgilerine Bakınız.

Ürün

Tanım	Tip	Çalışma basıncı bar	Borunun dış çapı (mm)	G	TR (mm)	i (mm)	L1 (mm)	L2 (mm)	S1	S3	OR
VMO 04 LL	LL	PN 100	4	M 8 x 1	10,8	6,5	19,0	9,5	11	10	6,1 x 1,6
VMO 04 LL 10	LL	PN 100	4	M 10 x 1	12,8	6,5	19,0	9,5	13	10	8,0 x 1,5
VMO 06 LL	LL	PN 100	6	M 10 x 1	12,8	6,5	19,5	8,0	13	12	8,0 x 1,5
VMO NW 04 HL	L	PN 250	6	M 10 x 1	14,0	8,0	23,0	8,5	14	14	8,0 x 1,5
VMO NW 06 HL	L	PN 250	8	M 12 x 1,5	17,0	12,0	25,0	10,0	17	17	9,3 x 2,4
VMO NW 08 HL	L	PN 250	10	M 14 x 1,5	19,0	12,0	26,0	11,0	19	19	11,3 x 2,4
VMO NW 10 HL	L	PN 250	12	M 16 x 1,5	22,0	12,0	27,0	12,5	22	22	13,3 x 2,4
VMO NW 13 HL	L	PN 250	15	M 18 x 1,5	24,0	12,0	29,0	13,5	24	27	15,3 x 2,4
VMO NW 16 HL	L	PN 160	18	M 22 x 1,5	27,0	14,0	32,0	14,5	27	32	19,3 x 2,4
VMO NW 20 HL	L	PN 160	22	M 26 x 1,5	31,0	16,0	34,0	16,5	32	36	23,3 x 2,4
VMO NW 20 HL 27	L	PN 160	22	M 27 x 2	32,0	16,0	33,0	16,5	32	36	23,6 x 2,9
VMO NW 25 HL	L	PN 100	28	M 33 x 2	41,0	18,0	34,0	17,5	41	41	29,5 x 3,0
VMO NW 32 HL	L	PN 100	35	M 42 x 2	50,0	20,0	39,0	17,5	50	50	38,0 x 3,0
VMO NW 40 HL	L	PN 160	42	M 48 x 2	55,0	17,5	42,0	19,0	55	60	44,60 x 3,00
VMO NW 03 HS	S	PN 630	6	M 12 x 1,5	17,0	12,0	28,0	13,0	17	17	9,3 x 2,4
VMO NW 04 HS	S	PN 630	8	M 14 x 1,5	19,0	12,0	30,0	15,0	19	19	11,3 x 2,4
VMO NW 06 HS	S	PN 630	10	M 16 x 1,5	22,0	12,0	31,0	15,0	22	22	13,3 x 2,4
VMO NW 08 HS	S	PN 630	12	M 18 x 1,5	24,0	12,0	33,0	17,0	24	24	15,3 x 2,4
VMO NW 13 HS	S	PN 400	16	M 22 x 1,5	27,0	14,0	37,0	18,5	27	30	19,3 x 2,4
VMO NW 16 HS	S	PN 400	20	M 27 x 2	32,0	16,0	41,0	20,5	32	36	23,5 x 3,0
VMO NW 20 HS	S	PN 400	25	M 33 x 2	41,0	18,0	47,0	23,0	41	46	29,5 x 3,0
VMO NW 25 HS	S	PN 250	30	M 42 x 2	50,0	20,0	50,0	23,5	50	50	38,0 x 3,0
VMO NW 32 HS	S	PN 315	38	M 48 x 2	55,0	21,5	57,0	26,0	55	60	44,6 x 2,9

Model: LL = Çok hafif L = Hafif S = Ağır - PN=Çalışma Basıncı PB=Patlama Basıncı - çap = Boru dış çapı

Ürün türleri

XVMO