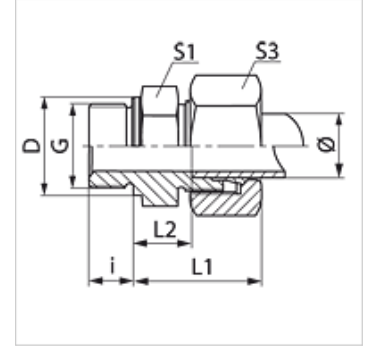


Özellikler

Baęlantı 1	BSP dış dış silindirik
Sızdırmazlık şekli 1	Form B
Baęlantı 2	metrik dış dış, silindirik
Sızdırmazlık şekli 2	24° içe havşalı
Model	Blok Baęlantı
Dizayn	düz
Standart	DIN 2353 ISO 8434-1
Teslimat kapsamı	Gövde (Somun ve Yüzüklü)
Malzeme	Çelik
Yüzey koruması	galvaniz kaplı



Açıklama

Montaj, Basınç Deęeri ve izin verilen Çalışma Sıcaklıkları ile ilgili Bilgiler için Lütfen Boru Baęlantı Teknik Bilgilerine Bakınız.

Ürün

Tanım	Tip	Çalışma basıncı bar	Borunun dış çapı (mm)	G	TR (mm)	i (mm)	L1 (mm)	L2 (mm)	S1	S3
VR NW 04 HL	L	PN 315	6	G 1/8" -28	14	8	23,0	8,5	14	14
VR NW 04 HL 1/4	L	PN 315	6	G 1/4" -19	18	12	24,5	10,0	19	14
VR NW 04 HL 3/8	L	PN 315	6	G 3/8" -19	22	12	26,0	11,5	22	14
VR NW 04 HL 1/2	L	PN 315	6	G 1/2" -14	26	14	26,5	12,0	27	14
VR NW 06 HL 1/8	L	PN 315	8	G 1/8" -28	14	8	24,0	9,0	14	17
VR NW 06 HL	L	PN 315	8	G 1/4" -19	18	12	25,0	10,0	19	17
VR NW 06 HL 3/8	L	PN 315	8	G 3/8" -19	22	12	26,5	11,5	22	17
VR NW 06 HL 1/2	L	PN 315	8	G 1/2" -14	26	14	27,0	12,0	27	17
VR NW 08 HL 1/8	L	PN 315	10	G 1/8" -28	14	8	25,5	10,5	17	19
VR NW 08 HL	L	PN 315	10	G 1/4" -19	18	12	26,0	11,0	19	19
VR NW 08 HL 3/8	L	PN 315	10	G 3/8" -19	22	12	27,5	12,5	22	19
VR NW 08 HL 1/2	L	PN 315	10	G 1/2" -14	26	14	28,0	13,0	27	19
VR NW 10 HL 1/8	L	PN 315	12	G 1/8" -28	14	8	27,0	12,0	17	22
VR NW 10 HL 1/4	L	PN 315	12	G 1/4" -19	18	12	26,5	12,0	19	22
VR NW 10 HL	L	PN 315	12	G 3/8" -19	22	12	27,0	12,5	22	22
VR NW 10 HL 1/2	L	PN 315	12	G 1/2" -14	26	14	27,5	13,0	27	22
VR NW 10 HL 3/4	L	PN 315	12	G 3/4" -14	32	16	28,5	14,0	32	22
VR NW 13 HL 1/4	L	PN 315	15	G 1/4" -19	18	12	29,0	14,0	19	27
VR NW 13 HL 3/8	L	PN 315	15	G 3/8" -19	22	12	29,0	14,0	24	27
VR NW 13 HL	L	PN 315	15	G 1/2" -14	26	14	29,0	14,0	27	27
VR NW 13 HL 3/4	L	PN 315	15	G 3/4" -14	32	16	30,0	15,0	32	27
VR NW 16 HL 3/8	L	PN 315	18	G 3/8" -19	22	12	30,5	14,0	27	32
VR NW 16 HL	L	PN 315	18	G 1/2" -14	26	14	31,0	14,5	27	32
VR NW 16 HL 3/4	L	PN 315	18	G 3/4" -14	32	16	31,0	14,5	32	32
VR NW 16 HL 1	L	PN 315	18	G 1" -11	39	18	31,0	17,5	41	32
VR NW 20 HL 1/2	L	PN 160	22	G 1/2" -14	26	14	33,0	16,5	32	36
VR NW 20 HL	L	PN 160	22	G 3/4" -14	32	16	33,0	16,5	32	36
VR NW 20 HL 1	L	PN 160	22	G 1" -11	39	18	34,0	17,5	41	36
VR NW 25 HL 1/2	L	PN 160	28	G 1/2" -14	26	14	33,0	18,5	41	41
VR NW 25 HL 3/4	L	PN 160	28	G 3/4" -14	32	16	34,0	17,5	41	41
VR NW 25 HL	L	PN 160	28	G 1" -11	39	18	34,0	17,5	41	41
VR NW 25 HL 1 1/4	L	PN 160	28	G 1.1/4" -11	49	20	39,0	17,5	50	41
VR NW 32 HL 3/4	L	PN 160	35	G 3/4" -14	32	16	39,0	17,5	41	50
VR NW 32 HL 1	L	PN 160	35	G 1" -11	39	18	40,0	18,5	50	50
VR NW 32 HL	L	PN 160	35	G 1.1/4" -11	49	20	39,0	17,5	50	50
VR NW 32 HL 1 1/2	L	PN 160	35	G 1.1/2" -11	55	22	40,0	19,0	55	50
VR NW 40 HL 1 1/4	L	PN 160	42	G 1.1/4" -11	49	20	42,0	17,5	50	60
VR NW 40 HL	L	PN 160	42	G 1.1/2" -11	55	22	42,0	19,0	55	60
VR NW 03 HS 1/8	S	PN 400	6	G 1/8" -28	14	8	28,0	12,0	17	17
VR NW 03 HS	S	PN 400	6	G 1/4" -19	18	12	28,0	13,0	19	17
VR NW 03 HS 3/8	S	PN 400	6	G 3/8" -19	22	12	32,5	17,5	22	17
VR NW 03 HS 1/2	S	PN 400	6	G 1/2" -14	26	14	33,0	18,0	27	17



Ürün

Tanım	Tip	Çalışma basıncı bar	Borunun dış çapı (mm)	G	TR (mm)	i (mm)	L1 (mm)	L2 (mm)	S1	S3
VR NW 04 HS	S	PN 400	8	G 1/4" -19	18	12	30,0	15,0	19	19
VR NW 04 HS 3/8	S	PN 400	8	G 3/8" -19	22	12	30,5	15,5	22	19
VR NW 04 HS 1/2	S	PN 400	8	G 1/2" -14	26	14	34,0	17,5	27	19
VR NW 06 HS 1/4	S	PN 400	10	G 1/4" -19	18	12	30,5	14,5	22	22
VR NW 06 HS	S	PN 400	10	G 3/8" -19	22	12	31,0	15,0	22	22
VR NW 06 HS 1/2	S	PN 400	10	G 1/2" -14	26	14	33,5	17,5	27	22
VR NW 08 HS 1/4	S	PN 400	12	G 1/4" -19	18	12	32,5	16,5	22	24
VR NW 08 HS	S	PN 400	12	G 3/8" -19	22	12	33,0	17,0	22	24
VR NW 08 HS 1/2	S	PN 400	12	G 1/2" -14	26	14	33,5	17,5	27	24
VR NW 08 HS 3/4	S	PN 400	12	G 3/4" -14	32	16	35,0	19,0	32	24
VR NW 10 HS 3/8	S	PN 400	14	G 3/8" -19	22	12	36,5	18,5	24	27
VR NW 10 HS	S	PN 400	14	G 1/2" -14	26	14	37,0	19,0	27	27
VR NW 10 HS 3/4	S	PN 400	14	G 3/4" -14	32	16	36,5	18,5	32	27
VR NW 13 HS 1/4	S	PN 400	16	G 1/4" -19	22	12	37,0	18,5	27	30
VR NW 13 HS 3/8	S	PN 400	16	G 3/8" -19	22	12	37,0	18,5	27	30
VR NW 13 HS	S	PN 400	16	G 1/2" -14	26	14	37,0	18,5	27	30
VR NW 13 HS 3/4	S	PN 400	16	G 3/4" -14	32	16	39,0	20,5	32	30
VR NW 16 HS 1/2	S	PN 400	20	G 1/2" -14	26	14	44,0	22,5	32	36
VR NW 16 HS	S	PN 400	20	G 3/4" -14	39	18	44,0	22,5	32	36
VR NW 16 HS 1	S	PN 250	20	G 1" -11	39	18	42,0	17,5	41	36
VR NW 20 HS 1/2	S	PN 250	25	G 1/2" -14	26	14	47,0	26,5	41	46
VR NW 20 HS 3/4	S	PN 250	25	G 3/4" -14	32	16	47,0	23,0	41	46
VR NW 20 HS	S	PN 250	25	G 1" -11	39	18	47,0	23,0	41	46
VR NW 20 HS 1 1/4	S	PN 160	25	G 1.1/4" -11	49	20	47,0	23,0	50	46
VR NW 25 HS 3/4	S	PN 160	30	G 3/4" -14	32	16	50,0	23,5	46	50
VR NW 25 HS 1	S	PN 160	30	G 1" -11	39	18	50,0	23,5	46	50
VR NW 25 HS 1 1/2	S	PN 160	30	G 1.1/2" -11	55	22	50,0	23,5	55	50
VR NW 25 HS	S	PN 160	30	G 1.1/4" -11	49	20	50,0	23,5	50	50
VR NW 32 HS 1	S	PN 160	38	G 1" -11	39	18	57,0	26,0	55	60
VR NW 32 HS 1 1/4	S	PN 160	38	G 1.1/4" -11	49	20	57,0	26,0	55	60
VR NW 32 HS	S	PN 160	38	G 1.1/2" -11	55	22	57,0	26,0	55	60

Model: LL = Çok hafif L = Hafif S = Ağır - PN=Çalışma Basıncı PB=Patlama Basıncı - çap = Boru dış çapı

Ürün türleri

VR MG	Blok Baęlantı, Pirinç
VR VA	Blok Baęlantı, Paslanmaz çelik
XVR	Blok Baęlantı, Çelik