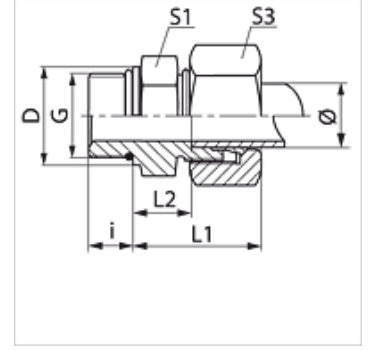


Özellikler

| | |
|----------------------|----------------------------|
| Baęlantı 1 | UN/UNF dıř dıř |
| Sızdırmazlık řekli 1 | Form F |
| Baęlantı 2 | metrik dıř dıř, silindirik |
| Sızdırmazlık řekli 2 | 24° ie havřalı |
| Model | Blok Baęlantı |
| Dizayn | düz |
| Standart | DIN 2353 ISO 8434-1 |
| Teslimat kapsamı | Gövde (Somun ve Yüzüklü) |
| Malzeme | elik |
| Yüzey koruması | galvaniz kaplı |



Aıklama

Montaj, Basın Deęeri ve izin verilen alıřma Sıcaklıkları ile ilgili Bilgiler iin Lütfen Boru Baęlantı Teknik Bilgilerine Bakınız.

Ürün

| Tanım | Tip | alıřma basıncı bar | Borunun dıř apı (mm) | G | TR (mm) | i (mm) | L1 (mm) | L2 (mm) | S1 | S3 | OR |
|--------------------|-----|---------------------|-----------------------|----------------|---------|--------|---------|---------|----|----|--------------|
| VU NW 04 HL 7/16 | L | PN 315 | 6 | 7/16" -20 UNF | 17,0 | 9 | 23,0 | 8,5 | 14 | 16 | 8,92 x 1,83 |
| VU NW 04 HL 1/2 | L | PN 315 | 6 | 1/2" -20 UNF | 17,0 | 9 | 23,0 | 8,5 | 17 | 17 | 10,52 x 1,83 |
| VU NW 04 HL 9/16 | L | PN 315 | 6 | 9/16" -18 UNF | 17,6 | 10 | 35,0 | 10,0 | 19 | 14 | 11,90 x 1,98 |
| VU NW 06 HL 7/16 | L | PN 315 | 8 | 7/16" -20 UNF | 14,4 | 9 | 28,0 | 13,0 | 17 | 17 | 8,92 x 1,83 |
| VU NW 06 HL 1/2 | L | PN 315 | 8 | 1/2" -20 UNF | 17,0 | 9 | 25,0 | 10,0 | 17 | 17 | 10,52 x 1,83 |
| VU NW 06 HL 9/16 | L | PN 315 | 8 | 9/16" -18 UNF | 19,0 | 10 | 25,0 | 10,0 | 17 | 17 | 11,90 x 1,98 |
| VU NW 08 HL 7/16 | L | PN 315 | 10 | 7/16" -20 UNF | 14,4 | 9 | 29,0 | 14,0 | 17 | 19 | 8,92 x 1,83 |
| VU NW 08 HL 9/16 | L | PN 315 | 10 | 9/16" -18 UNF | 19,0 | 10 | 26,0 | 11,0 | 19 | 19 | 16,36 x 2,20 |
| VU NW 08 HL 3/4 | L | PN 315 | 10 | 3/4" -16 UNF | 22,3 | 11 | 26,0 | 11,0 | 24 | 19 | 16,36 x 2,20 |
| VU NW 10 HL 9/16 | L | PN 315 | 12 | 9/16" -18 UNF | 17,6 | 10 | 27,0 | 12,0 | 19 | 22 | 11,90 x 1,98 |
| VU NW 10 HL 3/4 | L | PN 315 | 12 | 3/4" -16 UNF | 22,3 | 11 | 28,0 | 13,0 | 24 | 22 | 16,36 x 2,20 |
| VU NW 10 HL 7/8 | L | PN 315 | 12 | 7/8" -14 UNF | 25,5 | 13 | 29,0 | 14,0 | 27 | 22 | 19,18 x 2,46 |
| VU NW 13 HL 9/16 | L | PN 315 | 15 | 9/16" -18 UNF | 17,6 | 10 | 29,0 | 14,0 | 27 | 27 | 11,90 x 1,98 |
| VU NW 13 HL 3/4 | L | PN 315 | 15 | 3/4" -16 UNF | 22,3 | 11 | 29,0 | 14,0 | 24 | 27 | 16,36 x 2,20 |
| VU NW 13 HL 7/8 | L | PN 315 | 15 | 7/8" -14 UNF | 25,5 | 13 | 30,5 | 15,5 | 27 | 27 | 19,18 x 2,46 |
| VU NW 16 HL 3/4 | L | PN 315 | 18 | 3/4" -16 UNF | 22,3 | 11 | 29,5 | 14,5 | 27 | 32 | 16,36 x 2,20 |
| VU NW 16 HL 7/8 | L | PN 315 | 18 | 7/8" -14 UNF | 25,5 | 13 | 29,5 | 14,5 | 27 | 32 | 19,18 x 2,46 |
| VU NW 16 HL 1 1/16 | L | PN 315 | 18 | 1.1/16" -12 UN | 31,9 | 15 | 29,5 | 14,5 | 32 | 32 | 23,47 x 2,95 |
| VU NW 20 HL 7/8 | L | PN 160 | 22 | 7/8" -14 UNF | 25,5 | 13 | 33,0 | 16,5 | 32 | 36 | 19,18 x 2,46 |
| VU NW 20 HL 1 1/16 | L | PN 160 | 22 | 1.1/16" -12 UN | 31,9 | 15 | 33,0 | 16,5 | 32 | 36 | 23,47 x 2,95 |
| VU NW 20 HL 1 5/16 | L | PN 160 | 22 | 1.5/16" -12 UN | 38,2 | 15 | 34,0 | 17,5 | 41 | 36 | 29,74 x 2,95 |
| VU NW 25 HL 7/8 | L | PN 160 | 22 | 7/8" -14 UNF | 25,5 | 14 | 34,0 | 17,5 | 32 | 41 | 19,18 x 2,46 |
| VU NW 25 HL 1 1/16 | L | PN 160 | 28 | 1.1/16" -12 UN | 31,9 | 15 | 34,0 | 17,5 | 41 | 41 | 23,47 x 2,95 |
| VU NW 25 HL 1 5/16 | L | PN 160 | 28 | 1.5/16" -12 UN | 38,2 | 15 | 34,0 | 17,5 | 41 | 41 | 29,74 x 2,95 |
| VU NW 32 HL 1 5/16 | L | PN 160 | 35 | 1.5/16" -12 UN | 38,2 | 15 | 39,0 | 17,5 | 50 | 46 | 29,74 x 2,95 |
| VU NW 32 HL 1 5/8 | L | PN 160 | 35 | 1.5/8" -12 UN | 50,0 | 15 | 39,0 | 17,5 | 50 | 48 | 37,47 x 3,00 |
| VU NW 40 HL 1 5/8 | L | PN 160 | 42 | 1.5/8" -12 UN | 55,0 | 15 | 42,0 | 19,0 | 60 | 48 | 37,47 x 3,00 |
| VU NW 40 HL 1 7/8 | L | PN 160 | 42 | 1.7/8" -12 UN | 55,0 | 15 | 42,0 | 19,0 | 60 | 55 | 43,69 x 3,00 |
| VU NW 03 HS 7/16 | S | PN 630 | 6 | 7/16" -20 UNF | 17,0 | 9 | 30,0 | 15,0 | 17 | 16 | 8,92 x 1,83 |
| VU NW 04 HS 7/16 | S | PN 630 | 8 | 7/16" -20 UNF | 14,4 | 9 | 30,0 | 15,0 | 17 | 19 | 8,92 x 1,83 |
| VU NW 04 HS 1/2 | S | PN 630 | 8 | 1/2" -20 UNF | 17,0 | 9 | 30,0 | 15,0 | 19 | 17 | 10,52 x 1,83 |
| VU NW 04 HS 9/16 | S | PN 630 | 8 | 9/16" -18 UNF | 17,6 | 10 | 30,0 | 15,0 | 19 | 17 | 11,90 x 1,98 |
| VU NW 06 HS 9/16 | S | PN 630 | 10 | 9/16" -18 UNF | 17,6 | 10 | 31,0 | 14,5 | 19 | 22 | 11,90 x 1,98 |
| VU NW 06 HS 3/4 | S | PN 630 | 10 | 3/4" -16 UNF | 22,3 | 11 | 31,0 | 14,5 | 24 | 22 | 16,36 x 2,20 |
| VU NW 08 HS 9/16 | S | PN 630 | 12 | 9/16" -18 UNF | 17,6 | 10 | 31,0 | 14,5 | 22 | 24 | 11,90 x 1,98 |
| VU NW 08 HS 3/4 | S | PN 630 | 12 | 3/4" -16 UNF | 22,3 | 11 | 34,0 | 17,5 | 24 | 24 | 16,36 x 2,20 |
| VU NW 08 HS 7/8 | S | PN 630 | 12 | 7/8" -14 UNF | 25,5 | 13 | 37,0 | 18,5 | 27 | 24 | 19,18 x 2,46 |
| VU NW 10 HS 3/4 | S | PN 630 | 14 | 3/4" -16 UNF | 22,3 | 11 | 34,0 | 16,0 | 27 | 24 | 16,36 x 2,20 |
| VU NW 13 HS 3/4 | S | PN 400 | 16 | 3/4" -16 UNF | 22,3 | 11 | 34,0 | 15,5 | 24 | 30 | 16,36 x 2,20 |
| VU NW 13 HS 7/8 | S | PN 400 | 16 | 7/8" -14 UNF | 25,5 | 13 | 37,0 | 18,5 | 27 | 30 | 19,18 x 2,46 |
| VU NW 13 HS 1 1/16 | S | PN 400 | 16 | 1.1/16" -12 UN | 31,9 | 15 | 37,0 | 18,5 | 32 | 30 | 23,47 x 2,95 |
| VU NW 16 HS 3/4 | S | PN 400 | 20 | 3/4" -16 UNF | 22,3 | 11 | 42,0 | 20,5 | 32 | 36 | 16,36 x 2,20 |



Ürün

| Tanım | Tip | Çalışma basıncı bar | Borunun dış çapı (mm) | G | TR (mm) | i (mm) | L1 (mm) | L2 (mm) | S1 | S3 | OR |
|--------------------|-----|---------------------|-----------------------|----------------|---------|--------|---------|---------|----|----|--------------|
| VU NW 16 HS 7/8 | S | PN 400 | 20 | 7/8" -14 UNF | 25,5 | 13 | 42,0 | 20,5 | 32 | 36 | 19,18 x 2,46 |
| VU NW 16 HS 1 1/16 | S | PN 400 | 20 | 1.1/16" -12 UN | 31,9 | 15 | 42,0 | 20,5 | 32 | 36 | 23,47 x 2,95 |
| VU NW 20 HS 1 1/16 | S | PN 400 | 25 | 1.1/16" -12 UN | 31,9 | 15 | 47,0 | 23,0 | 41 | 46 | 23,47 x 2,95 |
| VU NW 20 HS 1 5/16 | S | PN 400 | 25 | 1.5/16" -12 UN | 38,2 | 15 | 47,0 | 23,0 | 41 | 46 | 29,74 x 2,95 |
| VU NW 25 HS 1 5/16 | S | PN 400 | 30 | 1.5/16" -12 UN | 38,2 | 15 | 50,0 | 23,5 | 46 | 50 | 29,74 x 2,95 |
| VU NW 25 HS 1 5/8 | S | PN 400 | 30 | 1.5/8" -12 UN | 47,7 | 15 | 50,0 | 23,5 | 50 | 50 | 37,47 x 3,00 |
| VU NW 32 HS 1 5/8 | S | PN 315 | 38 | 1.5/8" -12 UN | 54,0 | 15 | 42,0 | 19,0 | 55 | 60 | 37,47 x 3,00 |
| VU NW 32 HS 1 7/8 | S | PN 315 | 38 | 1.7/8" -12 UN | 55,0 | 15 | 57,0 | 26,0 | 60 | 55 | 43,69 x 3,00 |

Model: LL = Çok hafif L = Hafif S = Ağır - PN=Çalışma Basıncı PB=Patlama Basıncı - çap = Boru dış çapı

Ürün türleri

| | |
|-------|--------------------------------|
| VU VA | Blok Baęlantı, Paslanmaz çelik |
| XVU | Blok Baęlantı, Çelik |