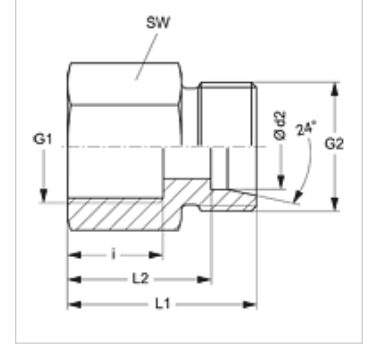


## Özellikler

Bağlantı 1	metrik iç dış, silindirik
Sızdırmazlık şekli 1	Form A
Bağlantı 2	metrik dış dış, silindirik
Sızdırmazlık şekli 2	24° içe havşalı
Model	Metrik Lüle
Dizayn	düz
Standart	DIN 2353 ISO 8434-1
Teslimat kapsamı	Gövde (somun ve yüzüksüz)
Malzeme	Çelik
Yüzey koruması	galvaniz kaplı



## Açıklama

Montaj, Basınç Değeri ve izin verilen Çalışma Sıcaklıkları ile ilgili Bilgiler için Lütfen Boru Bağlantı Teknik Bilgilerine Bakınız.

## Ürün

Tanım	Tip	Çalışma basıncı bar	Ø d2 (mm)	G1	G2	i (mm)	L1 (mm)	L2 (mm)	SW (mm)
XGAM NW 04 HL	L	PN 315	6	M 10 x 1	M 12 x 1,5	12,5	26,5	19,5	14
XGAM NW 04 HL 22	L	PN 315	6	M 22 x 1,5	M 12 x 1,5	19,0	35,0	28,0	27
XGAM NW 06 HL	L	PN 315	8	M 12 x 1,5	M 14 x 1,5	17,0	31,0	24,0	17
XGAM NW 06 HL 22	L	PN 315	8	M 22 x 1,5	M 14 x 1,5	19,0	35,0	29,0	27
XGAM NW 08 HL	L	PN 315	10	M 14 x 1,5	M 16 x 1,5	17,0	32,0	25,0	19
XGAM NW 08 HL 22	L	PN 315	10	M 22 x 1,5	M 16 x 1,5	19,0	36,0	29,0	27
XGAM NW 10 HL	L	PN 315	12	M 16 x 1,5	M 18 x 1,5	17,0	33,0	26,0	22
XGAM NW 10 HL 18	L	PN 315	12	M 18 x 1,5	M 18 x 1,5	17,0	34,0	27,0	24
XGAM NW 10 HL 22	L	PN 315	12	M 22 x 1,5	M 18 x 1,5	19,0	36,0	29,0	27
XGAM NW 13 HL	L	PN 315	15	M 18 x 1,5	M 22 x 1,5	17,0	35,0	28,0	24
XGAM NW 13 HL 22	L	PN 315	15	M 22 x 1,5	M 22 x 1,5	19,0	37,0	30,0	27
XGAM NW 16 HL	L	PN 315	18	M 22 x 1,5	M 26 x 1,5	19,0	37,0	29,5	27
XGAM NW 20 HL	L	PN 160	22	M 26 x 1,5	M 30 x 2	21,0	42,0	34,5	32
XGAM NW 25 HL	L	PN 160	28	M 33 x 2	M 36 x 2	24,0	45,0	37,5	41
XGAM NW 32 HL	L	PN 160	35	M 42 x 2	M 45 x 2	26,0	51,0	40,5	55
XGAM NW 40 HL	L	PN 160	42	M 48 x 2	M 52 x 2	28,0	53,0	42,0	60
XGAM NW 03 HS	S	PN 400	6	M 12 x 1,5	M 14 x 1,5	17,0	33,0	26,0	17
XGAM NW 04 HS	S	PN 400	8	M 14 x 1,5	M 16 x 1,5	17,0	33,0	26,0	19
XGAM NW 06 HS	S	PN 400	10	M 16 x 1,5	M 18 x 1,5	17,0	34,0	26,5	22
XGAM NW 08 HS	S	PN 400	12	M 18 x 1,5	M 20 x 1,5	17,0	35,0	27,5	24
XGAM NW 10 HS	S	PN 400	14	M 20 x 1,5	M 22 x 1,5	19,0	39,0	31,0	27
XGAM NW 13 HS	S	PN 400	16	M 22 x 1,5	M 24 x 1,5	19,0	39,0	30,5	30
XGAM NW 16 HS	S	PN 315	20	M 27 x 2	M 30 x 2	22,0	45,0	34,5	36
XGAM NW 20 HS	S	PN 315	25	M 33 x 2	M 36 x 2	24,0	49,0	37,0	41
XGAM NW 25 HS	S	PN 315	30	M 42 x 2	M 42 x 2	26,0	55,0	41,5	55
XGAM NW 32 HS	S	PN 250	38	M 48 x 2	M 52 x 2	28,0	59,0	43,0	60

Model: LL = Çok hafif L = Hafif S = Ağır - PN=Çalışma Basıncı PB=Patlama Basıncı - çap d2 = Boru dış çapı

## Ürün türleri

XGAM VA	Metrik Lüle, Paslanmaz çelik
GAM	Metrik Lüle, Çelik