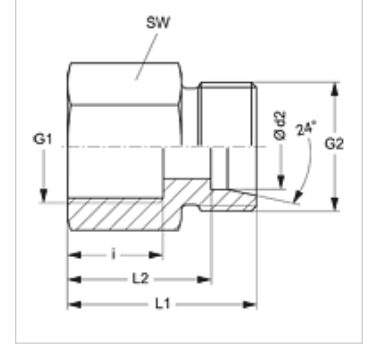


## Özellikler

Bağlantı 1	BSP iç dış silindirik
Sızdırmazlık şekli 1	Form A
Bağlantı 2	metrik dış dış, silindirik
Sızdırmazlık şekli 2	24° içe havşalı
Model	Metrik Lüle
Dizayn	düz
Standart	DIN 2353 ISO 8434-1
Teslimat kapsamı	Gövde (somun ve yüzüksüz)
Malzeme	Çelik
Yüzey koruması	galvaniz kaplı



## Açıklama

Montaj, Basınç Değeri ve izin verilen Çalışma Sıcaklıkları ile ilgili Bilgiler için Lütfen Boru Bağlantı Teknik Bilgilerine Bakınız.

## Ürün

Tanım	Tip	Çalışma basıncı bar	Ø d2 (mm)	G1	G2	i (mm)	L1 (mm)	L2 (mm)	SW (mm)
XGAR NW 04 HL	L	PN 315	6	G 1/8" -28	M 12 x 1,5	12,0	26,0	19,0	14
XGAR NW 04 HL 1/4	L	PN 315	6	G 1/4" -19	M 12 x 1,5	17,0	31,0	24,0	19
XGAR NW 04 HL 3/8	L	PN 315	6	G 3/8" -19	M 12 x 1,5	17,0	32,0	25,0	22
XGAR NW 06 HL	L	PN 315	8	G 1/4" -19	M 14 x 1,5	17,0	31,0	24,0	19
XGAR NW 06 HL 3/8	L	PN 315	8	G 3/8" -19	M 14 x 1,5	17,0	32,0	25,0	22
XGAR NW 06 HL 1/2	L	PN 315	8	G 1/2" -14	M 14 x 1,5	20,0	36,0	29,0	27
XGAR NW 08 HL	L	PN 315	10	G 1/4" -19	M 16 x 1,5	17,0	32,0	25,0	19
XGAR NW 08 HL 3/8	L	PN 315	10	G 3/8" -19	M 16 x 1,5	17,0	33,0	26,0	22
XGAR NW 08 HL 1/2	L	PN 315	10	G 1/2" -14	M 16 x 1,5	20,0	37,0	30,0	27
XGAR NW 10 HL 1/4	L	PN 315	12	G 1/4" -19	M 18 x 1,5	17,0	32,0	25,0	19
XGAR NW 10 HL	L	PN 315	12	G 3/8" -19	M 18 x 1,5	17,0	33,0	26,0	22
XGAR NW 10 HL 1/2	L	PN 315	12	G 1/2" -14	M 18 x 1,5	20,0	37,0	30,0	27
XGAR NW 13 HL 3/8	L	PN 315	15	G 3/8" -19	M 22 x 1,5	17,0	34,0	27,0	24
XGAR NW 13 HL	L	PN 315	15	G 1/2" -14	M 22 x 1,5	20,0	38,0	31,0	27
XGAR NW 16 HL	L	PN 315	18	G 1/2" -14	M 26 x 1,5	20,0	38,0	30,5	27
XGAR NW 20 HL	L	PN 160	22	G 3/4" -14	M 30 x 2	22,0	43,0	35,5	32
XGAR NW 25 HL	L	PN 160	28	G 1" -11	M 36 x 2	24,5	45,5	38,0	41
XGAR NW 32 HL	L	PN 160	35	G 1.1/4" -11	M 45 x 2	26,5	51,5	41,0	50
XGAR NW 40 HL	L	PN 160	42	G 1.1/2" -11	M 52 x 2	28,5	53,5	42,5	55
XGAR NW 03 HS	S	PN 400	6	G 1/4" -19	M 14 x 1,5	17,0	33,0	26,0	19
XGAR NW 04 HS	S	PN 400	8	G 1/4" -19	M 16 x 1,5	17,0	33,0	26,0	19
XGAR NW 06 HS	S	PN 400	10	G 3/8" -19	M 18 x 1,5	17,0	34,0	26,5	24
XGAR NW 08 HS	S	PN 400	12	G 3/8" -19	M 20 x 1,5	17,0	34,0	26,5	24
XGAR NW 10 HS	S	PN 400	14	G 1/2" -14	M 22 x 1,5	20,0	40,0	32,0	27
XGAR NW 13 HS	S	PN 400	16	G 1/2" -14	M 24 x 1,5	20,0	40,0	31,5	27
XGAR NW 16 HS	S	PN 315	20	G 3/4" -14	M 30 x 2	22,0	45,0	34,5	36
XGAR NW 20 HS	S	PN 315	25	G 1" -11	M 36 x 2	24,5	49,5	37,5	41
XGAR NW 25 HS	S	PN 315	30	G 1.1/4" -11	M 42 x 2	26,5	55,5	42,0	50
XGAR NW 32 HS	S	PN 250	38	G 1.1/2" -11	M 52 x 2	28,5	59,5	43,5	60

Model: LL = Çok hafif L = Hafif S = Ağır - PN=Çalışma Basıncı PB=Patlama Basıncı - çap d2 = Boru dış çapı

## Ürün türleri

XGAR VA	Metrik Lüle, Paslanmaz çelik
GAR	Metrik Lüle, Çelik