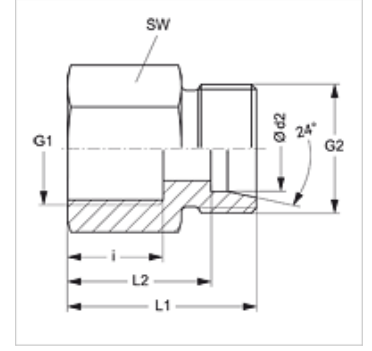


Özellikler

Bağlantı 1	BSP iç dış silindirik
Sızdırmazlık şekli 1	Form A
Bağlantı 2	metrik dış dış, silindirik
Sızdırmazlık şekli 2	24° içe havşalı
Model	Metrik Lüle
Dizayn	düz
Standart	DIN 2353 ISO 8434-1
Teslimat kapsamı	Gövde (somun ve yüzüksüz)
Malzeme	Paslanmaz çelik



Açıklama

Montaj, Basınç Değeri ve izin verilen Çalışma Sıcaklıkları ile ilgili Bilgiler için Lütfen Boru Bağlantı Teknik Bilgilerine Bakınız.

Ürün

Tanım	Tip	Çalışma basıncı bar	Ø d2 (mm)	G1	G2	i (mm)	L1 (mm)	L2 (mm)	SW (mm)
XGAR NW 04 HL VA	L	PN 315	6	G 1/8" -28	M 12 x 1,5	12,0	26,0	19,0	14
XGAR NW 04 HL 1/4 VA	L	PN 315	6	G 1/4" -19	M 12 x 1,5	17,0	31,0	24,0	19
XGAR NW 04 HL 3/8 VA	L	PN 315	6	G 3/8" -19	M 12 x 1,5	17,0	32,0	25,0	22
XGAR NW 04 HL 1/2 VA	L	PN 315	6	G 1/2" -14	M 12 x 1,5	20,0	36,0	29,0	27
XGAR NW 06 HL VA	L	PN 315	8	G 1/4" -19	M 14 x 1,5	17,0	31,0	24,0	19
XGAR NW 06 HL 3/8 VA	L	PN 315	8	G 3/8" -19	M 14 x 1,5	17,0	32,0	25,0	22
XGAR NW 06 HL 1/2 VA	L	PN 315	8	G 1/2" -14	M 14 x 1,5	20,0	36,0	29,0	27
XGAR NW 08 HL VA	L	PN 315	10	G 1/4" -19	M 16 x 1,5	17,0	32,0	25,0	19
XGAR NW 08 HL 3/8 VA	L	PN 315	10	G 3/8" -19	M 16 x 1,5	17,0	33,0	26,0	22
XGAR NW 08 HL 1/2 VA	L	PN 315	10	G 1/2" -14	M 16 x 1,5	20,0	37,0	30,0	27
XGAR NW 10 HL 1/4 VA	L	PN 315	12	G 1/4" -19	M 18 x 1,5	17,0	32,0	25,0	19
XGAR NW 10 HL VA	L	PN 315	12	G 3/8" -19	M 18 x 1,5	17,0	33,0	26,0	22
XGAR NW 10 HL 1/2 VA	L	PN 315	12	G 1/2" -14	M 18 x 1,5	20,0	37,0	30,0	27
XGAR NW 13 HL 3/8 VA	L	PN 315	15	G 3/8" -19	M 22 x 1,5	17,0	34,0	27,0	24
XGAR NW 13 HL VA	L	PN 315	15	G 1/2" -14	M 22 x 1,5	20,0	38,0	31,0	27
XGAR NW 16 HL 3/8 VA	L	PN 315	18	G 3/8" -19	M 26 x 1,5	17,0	35,0	27,5	27
XGAR NW 16 HL VA	L	PN 315	18	G 1/2" -14	M 26 x 1,5	20,0	38,0	30,5	27
XGAR NW 20 HL 1/2 VA	L	PN 160	22	G 1/2" -14	M 30 x 2	20,0	41,0	33,5	32
XGAR NW 20 HL VA	L	PN 160	22	G 3/4" -14	M 30 x 2	22,0	43,0	35,5	32
XGAR NW 25 HL VA	L	PN 160	28	G 1" -11	M 36 x 2	24,5	45,5	38,0	41
XGAR NW 32 HL VA	L	PN 160	35	G 1.1/4" -11	M 45 x 2	26,5	51,5	41,0	50
XGAR NW 40 HL VA	L	PN 160	42	G 1.1/2" -11	M 52 x 2	28,5	53,5	42,5	55
XGAR NW 03 HS 1/8 VA	S	PN 400	6	G 1/8" -28	M 14 x 1,5	12,0	28,0	21,0	17
XGAR NW 03 HS VA	S	PN 630	6	G 1/4" -19	M 14 x 1,5	17,0	33,0	26,0	19
XGAR NW 04 HS VA	S	PN 630	8	G 1/4" -19	M 16 x 1,5	17,0	33,0	26,0	19
XGAR NW 06 HS VA	S	PN 630	10	G 3/8" -19	M 18 x 1,5	17,0	34,0	26,5	24
XGAR NW 06 HS 1/2 VA	S	PN 400	10	G 1/2" -14	M 18 x 1,5	20,0	38,0	30,5	27
XGAR NW 08 HS 1/4 VA	S	PN 400	12	G 1/4" -19	M 20 x 1,5	17,0	34,0	26,5	24
XGAR NW 08 HS VA	S	PN 630	12	G 3/8" -19	M 20 x 1,5	17,0	34,0	26,5	24
XGAR NW 08 HS 1/2 VA	S	PN 400	12	G 1/2" -14	M 20 x 1,5	20,0	38,0	30,5	27
XGAR NW 10 HS VA	S	PN 630	14	G 1/2" -14	M 22 x 1,5	20,0	40,0	32,0	27
XGAR NW 13 HS VA	S	PN 400	16	G 1/2" -14	M 24 x 1,5	20,0	40,0	31,5	27
XGAR NW 16 HS 3/8 VA	S	PN 315	20	G 3/8" -19	M 30 x 2	17,0	38,0	27,5	36
XGAR NW 16 HS 1/2 VA	S	PN 315	20	G 1/2" -14	M 30 x 2	20,0	43,0	31,5	36
XGAR NW 16 HS VA	S	PN 400	20	G 3/4" -14	M 30 x 2	22,0	45,0	34,5	36
XGAR NW 20 HS VA	S	PN 400	25	G 1" -11	M 36 x 2	24,5	49,5	37,5	41
XGAR NW 25 HS VA	S	PN 400	30	G 1.1/4" -11	M 42 x 2	26,5	55,5	42,0	50
XGAR NW 32 HS VA	S	PN 315	38	G 1.1/2" -11	M 52 x 2	28,5	59,5	43,5	60

Model: LL = Çok hafif L = Hafif S = Ağır - PN=Çalışma Basıncı PB=Patlama Basıncı - çap d2 = Boru dış çapı

Ürün türleri

XGAR	Metrik Lüle, Çelik
GAR VA	Metrik Lüle, Paslanmaz çelik