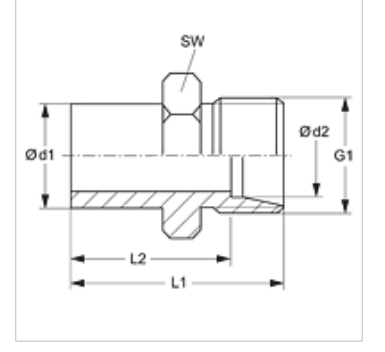


Özellikler

Bağlantı 1	Boru ağızlıkları önceden monte edilmemiş
Sızdırmazlık şekli 1	Kesme halkası bağlantısı
Bağlantı 2	metrik dış diş, silindirik
Sızdırmazlık şekli 2	24° içe havşalı
Model	Redüksiyon Bağlantı, önceden monteli değil
Dizayn	düz
Teslimat kapsamı	Gövde (somun ve yüzüksüz)
Malzeme	Çelik
Yüzey koruması	galvaniz kaplı



Açıklama

Montaj, Basınç Değeri ve izin verilen Çalışma Sıcaklıkları ile ilgili Bilgiler için Lütfen Boru Bağlantı Teknik Bilgilerine Bakınız.

Ürün

Tanım	Tip	Çalışma basıncı bar	Ø d1 (mm)	Ø d2 (mm)	G1	L1 (mm)	L2 (mm)	SW (mm)
XNAH NW 04 LL 04	L / LL	PN 100	6	4	M 8 x 1	28,5	24,0	11
XNAH NW 06 LL 04	L / LL	PN 100	8	4	M 8 x 1	28,5	24,5	12
XNAH NW 08 LL 04	L / LL	PN 100	10	4	M 8 x 1	28,5	24,5	11
XNAH NW 10 LL 04	L / LL	PN 100	12	4	M 8 x 1	28,5	24,5	11
XNAH NW 06 L 04	L	PN 315	8	6	M 12 x 1,5	33,5	26,5	12
XNAH NW 08 L 04	L	PN 315	10	6	M 12 x 1,5	34,0	27,0	12
XNAH NW 08 L 06	L	PN 315	10	8	M 14 x 1,5	34,5	27,5	14
XNAH NW 10 L 04	L	PN 315	12	6	M 12 x 1,5	35,0	28,0	14
XNAH NW 10 L 06	L	PN 315	12	8	M 14 x 1,5	36,0	29,0	14
XNAH NW 10 L 08	L	PN 315	12	10	M 16 x 1,5	37,0	30,0	17
XNAH NW 10 L	L	PN 315	12	12	M 18 x 1,5	38,0	31,0	19
XNAH NW 13 L 04	L	PN 315	15	6	M 12 x 1,5	36,0	29,0	17
XNAH NW 13 L 06	L	PN 315	15	8	M 14 x 1,5	36,0	29,0	17
XNAH NW 13 L 08	L	PN 315	15	10	M 16 x 1,5	37,0	30,0	17
XNAH NW 13 L 10	L	PN 315	15	12	M 18 x 1,5	38,0	31,0	19
XNAH NW 13 L	L	PN 315	15	15	M 22 x 1,5	39,0	32,0	24
XNAH NW 16 L 04	L	PN 315	18	6	M 12 x 1,5	37,0	30,0	19
XNAH NW 16 L 06	L	PN 315	18	8	M 14 x 1,5	38,0	31,0	19
XNAH NW 16 L 08	L	PN 315	18	10	M 16 x 1,5	39,0	32,0	19
XNAH NW 16 L 10	L	PN 315	18	12	M 18 x 1,5	40,0	33,0	19
XNAH NW 16 L 13	L	PN 315	18	15	M 22 x 1,5	39,5	32,5	24
XNAH NW 20 L 04	L	PN 160	22	6	M 14 x 1,5	39,0	32,0	24
XNAH NW 20 L 06	L	PN 160	22	8	M 16 x 1,5	40,0	33,0	24
XNAH NW 20 L 08	L	PN 160	22	10	M 18 x 1,5	42,0	35,0	24
XNAH NW 20 L 10	L	PN 160	22	12	M 18 x 1,5	42,0	35,0	24
XNAH NW 20 L 13	L	PN 160	22	15	M 22 x 1,5	43,0	36,0	24
XNAH NW 20 L 16	L	PN 160	22	18	M 26 x 1,5	44,0	36,5	27
XNAH NW 25 L 04	L	PN 160	28	6	M 12 x 1,5	41,0	34,0	30
XNAH NW 25 L 06	L	PN 160	28	8	M 14 x 1,5	41,0	34,0	30
XNAH NW 25 L 08	L	PN 160	28	10	M 16 x 1,5	42,0	35,0	30
XNAH NW 25 L 10	L	PN 160	28	12	M 18 x 1,5	43,0	36,0	30
XNAH NW 25 L 13	L	PN 160	28	15	M 22 x 1,5	44,0	37,0	30
XNAH NW 25 L 16	L	PN 160	28	18	M 26 x 1,5	45,0	37,5	30
XNAH NW 25 L 20	L	PN 160	28	22	M 30 x 2	47,0	39,5	32
XNAH NW 32 L 04	L	PN 160	35	6	M 12 x 1,5	47,0	40,0	36
XNAH NW 32 L 06	L	PN 160	35	8	M 14 x 1,5	47,0	40,0	36
XNAH NW 32 L 08	L	PN 160	35	10	M 16 x 1,5	48,0	41,0	36
XNAH NW 32 L 10	L	PN 160	35	12	M 18 x 1,5	49,0	42,0	36
XNAH NW 32 L 13	L	PN 160	35	15	M 22 x 1,5	50,0	43,0	36
XNAH NW 32 L 16	L	PN 160	35	18	M 26 x 1,5	49,5	42,0	36
XNAH NW 32 L 20	L	PN 160	35	22	M 30 x 2	53,0	45,5	36
XNAH NW 32 L 25	L	PN 160	35	28	M 36 x 2	54,0	46,5	41
XNAH NW 40 L 04	L	PN 160	42	6	M 12 x 1,5	49,5	42,5	46
XNAH NW 40 L 06	L	PN 160	42	8	M 14 x 1,5	49,5	42,5	46



Ürün

Tanım	Tip	Çalışma basıncı bar	Ø d1 (mm)	Ø d2 (mm)	G1	L1 (mm)	L2 (mm)	SW (mm)
XNAH NW 40 L 08	L	PN 160	42	10	M 16 x 1,5	49,0	42,0	46
XNAH NW 40 L 10	L	PN 160	42	12	M 18 x 1,5	50,0	43,0	46
XNAH NW 40 L 13	L	PN 160	42	15	M 22 x 1,5	52,0	45,0	46
XNAH NW 40 L 16	L	PN 160	42	18	M 26 x 1,5	51,5	44,0	46
XNAH NW 40 L 20	L	PN 160	42	22	M 30 x 2	53,5	46,0	46
XNAH NW 40 L 25	L	PN 160	42	28	M 36 x 2	55,0	47,5	46
XNAH NW 40 L 32	L	PN 160	42	35	M 45 x 2	58,0	47,5	46
XNAH NW 16 L 13 S	L / S	PN 315	18	16	M 24 x 1,5	40,0	36,0	27
XNAH NW 20 L 13 S	L / S	PN 160	22	16	M 24 x 1,5	43,0	38,0	27
XNAH NW 20 L 16 S	L / S	PN 160	22	20	M 30 x 2	45,0	38,0	32
XNAH NW 25 L 13 S	L / S	PN 160	28	16	M 24 x 1,5	45,0	39,0	32
XNAH NW 25 L 20 S	L / S	PN 160	28	25	M 36 x 2	50,0	40,5	41
XNAH NW 04 S 03	S	PN 630	8	6	M 14 x 1,5	37,0	30,0	17
XNAH NW 06 S 03	S	PN 630	10	6	M 14 x 1,5	39,0	32,0	17
XNAH NW 06 S 04	S	PN 630	10	8	M 16 x 1,5	34,0	31,0	17
XNAH NW 08 S 03	S	PN 630	12	6	M 14 x 1,5	39,0	32,0	17
XNAH NW 08 S 04	S	PN 630	12	8	M 16 x 1,5	41,0	34,0	17
XNAH NW 08 S 06	S	PN 630	12	10	M 18 x 1,5	41,0	33,5	19
XNAH NW 10 S 03	S	PN 630	14	6	M 14 x 1,5	42,0	35,0	17
XNAH NW 10 S 04	S	PN 630	14	8	M 16 x 1,5	44,0	37,0	17
XNAH NW 10 S 06	S	PN 630	14	10	M 18 x 1,5	44,0	36,5	19
XNAH NW 10 S 08	S	PN 630	14	12	M 20 x 1,5	46,0	38,5	22
XNAH NW 13 S 03	S	PN 630	16	6	M 14 x 1,5	42,0	35,0	17
XNAH NW 13 S 04	S	PN 630	16	8	M 16 x 1,5	44,0	37,0	17
XNAH NW 13 S 06	S	PN 630	16	10	M 18 x 1,5	44,0	36,5	19
XNAH NW 13 S 08	S	PN 630	16	12	M 20 x 1,5	46,0	38,5	22
XNAH NW 13 S 10	S	PN 630	16	14	M 22 x 1,5	48,0	40,0	24
XNAH NW 16 S 03	S	PN 400	20	6	M 14 x 1,5	49,0	42,0	22
XNAH NW 16 S 04	S	PN 400	20	8	M 16 x 1,5	49,0	42,0	22
XNAH NW 16 S 06	S	PN 400	20	10	M 18 x 1,5	50,0	42,5	22
XNAH NW 16 S 08	S	PN 400	20	12	M 20 x 1,5	51,0	43,5	22
XNAH NW 16 S 10	S	PN 400	20	14	M 22 x 1,5	53,0	45,0	24
XNAH NW 16 S 13	S	PN 400	20	16	M 24 x 1,5	53,0	44,5	27
XNAH NW 20 S 03	S	PN 400	25	6	M 14 x 1,5	51,0	44,0	27
XNAH NW 20 S 04	S	PN 400	25	8	M 16 x 1,5	51,0	44,0	27
XNAH NW 20 S 06	S	PN 400	25	10	M 18 x 1,5	51,0	43,5	27
XNAH NW 20 S 08	S	PN 400	25	12	M 20 x 1,5	53,0	44,5	27
XNAH NW 20 S 10	S	PN 400	25	14	M 22 x 1,5	55,0	47,0	27
XNAH NW 20 S 13	S	PN 400	25	16	M 24 x 1,5	56,0	47,5	27
XNAH NW 20 S 16	S	PN 400	25	20	M 30 x 2	59,0	48,5	32
XNAH NW 25 S 03	S	PN 400	30	6	M 14 x 1,5	59,0	52,0	32
XNAH NW 25 S 04	S	PN 400	30	8	M 16 x 1,5	59,0	52,0	32
XNAH NW 25 S 06	S	PN 400	30	10	M 18 x 1,5	59,0	51,5	32
XNAH NW 25 S 08	S	PN 400	30	12	M 20 x 1,5	59,0	51,5	32
XNAH NW 25 S 10	S	PN 400	30	14	M 22 x 1,5	58,0	50,0	32
XNAH NW 25 S 13	S	PN 400	30	16	M 24 x 1,5	61,0	52,5	32
XNAH NW 25 S 16	S	PN 400	30	20	M 30 x 2	60,0	49,5	32
XNAH NW 25 S 20	S	PN 400	30	25	M 36 x 2	69,0	57,0	41
XNAH NW 32 S 03	S	PN 315	38	6	M 14 x 1,5	62,0	55,0	41
XNAH NW 32 S 04	S	PN 315	38	8	M 16 x 1,5	62,0	55,0	41
XNAH NW 32 S 06	S	PN 315	38	10	M 18 x 1,5	62,0	54,5	41
XNAH NW 32 S 08	S	PN 315	38	12	M 20 x 1,5	62,0	54,5	41
XNAH NW 32 S 10	S	PN 315	38	14	M 22 x 1,5	65,0	57,0	41
XNAH NW 32 S 13	S	PN 315	38	16	M 24 x 1,5	64,0	55,5	41
XNAH NW 32 S 16	S	PN 315	38	20	M 30 x 2	67,0	56,5	41
XNAH NW 32 S 20	S	PN 315	38	25	M 36 x 2	72,0	60,0	41
XNAH NW 32 S 25	S	PN 315	38	30	M 42 x 2	74,0	60,5	46
XNAH NW 13 S 13 L	S / L	PN 315	16	15	M 22 x 1,5	39,0	37,0	24
XNAH NW 16 S 13 L	S / L	PN 315	20	15	M 22 x 1,5	43,0	43,0	24
XNAH NW 16 S 16 L	S / L	PN 315	20	18	M 26 x 1,5	43,0	42,5	27



Ürün

Tanım	Tip	Çalışma basıncı bar	Ø d1 (mm)	Ø d2 (mm)	G1	L1 (mm)	L2 (mm)	SW (mm)
XNAH NW 20 S 20 L	S / L	PN 160	25	22	M 30 x 2	47,5	48,5	32
XNAH NW 25 S 25 L	S / L	PN 160	30	28	M 36 x 2	53,0	50,5	41

Model: LL = Çok hafif L = Hafif S = Ağır - PN=Çalışma Basıncı PB=Patlama Basıncı - çap d1 = Boru dış çapı - çap d2 = Boru dış çapı

Ürün türleri

XNAH VA	Redüksiyon Baęlantı, Ön Montajsız, Paslanmaz çelik
NAH	Redüksiyon Baęlantı, Ön Montajsız, Çelik

Ek elemanlar

VOM	Ön Montaj Ağzı
-----	----------------