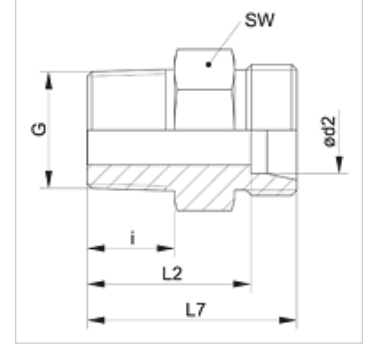
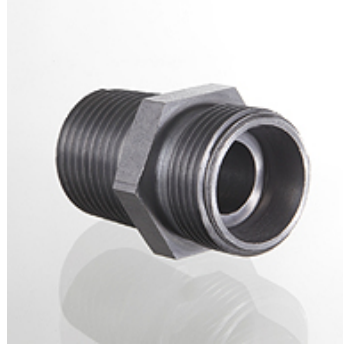


Özellikler

Baęlantı 1	NPT dış dış
Sızdırmazlık şekli 1	dişten contalama
Baęlantı 2	metrik dış dış, silindirik
Sızdırmazlık şekli 2	24° içe havşalı
Model	Blok Baęlantı
Dizayn	düz
Standart	DIN 2353 ISO 8434-1
Teslimat kapsamı	Gövde (somun ve yüzüksüz)
Malzeme	Çelik
Yüzey koruması	galvaniz kaplı



Açıklama

Montaj, Basınç Deęeri ve izin verilen Çalışma Sıcaklıkları ile ilgili Bilgiler için Lütfen Boru Baęlantı Teknik Bilgilerine Bakınız.

Ürün

Tanım	Tip	Çalışma basıncı bar	Ø d2 (mm)	G	i (mm)	L2 (mm)	L7 (mm)	SW (mm)
XVN 04 LL	LL	PN 100	4	1/8" -27 NPT	10,0	18,0	22,0	11
XVN 05 LL	LL	PN 100	5	1/8" -27 NPT	10,0	16,5	22,0	11
XVN 06 LL	LL	PN 100	6	1/8" -27 NPT	10,0	16,5	22,0	11
XVN 08 LL	LL	PN 100	8	1/8" -27 NPT	10,0	18,5	24,0	12
XVN NW 04 HL	L	PN 315	6	1/8" -27 NPT	10,0	17,0	24,0	12
XVN NW 04 HL 1/4	L	PN 315	6	1/4" -18 NPT	15,0	23,0	30,0	17
XVN NW 04 HL 3/8	L	PN 315	6	3/8" -18 NPT	15,3	24,0	31,0	19
XVN NW 04 HL 1/2	L	PN 315	6	1/2" -14 NPT	20,0	29,0	36,0	24
XVN NW 06 HL 1/8	L	PN 315	8	1/8" -27 NPT	10,0	18,0	25,0	17
XVN NW 06 HL	L	PN 315	8	1/4" -18 NPT	15,0	23,0	30,0	17
XVN NW 06 HL 3/8	L	PN 315	8	3/8" -18 NPT	15,3	24,0	31,0	19
XVN NW 06 HL 1/2	L	PN 315	8	1/2" -14 NPT	20,0	29,0	36,0	24
XVN NW 08 HL 1/8	L	PN 315	10	1/8" -27 NPT	10,0	19,0	26,0	17
XVN NW 08 HL	L	PN 315	10	1/4" -18 NPT	15,0	24,0	31,0	17
XVN NW 08 HL 3/8	L	PN 315	10	3/8" -18 NPT	15,3	25,0	32,0	19
XVN NW 08 HL 1/2	L	PN 315	10	1/2" -14 NPT	20,0	30,0	37,0	24
XVN NW 10 HL 1/8	L	PN 315	12	1/8" -27 NPT	10,0	19,5	26,5	19
XVN NW 10 HL 1/4	L	PN 315	12	1/4" -18 NPT	15,0	25,0	32,0	19
XVN NW 10 HL	L	PN 315	12	3/8" -18 NPT	15,3	25,0	32,0	19
XVN NW 10 HL 1/2	L	PN 315	12	1/2" -14 NPT	20,0	30,0	37,0	24
XVN NW 10 HL 3/4	L	PN 315	12	3/4" -14 NPT	20,2	31,0	38,0	27
XVN NW 13 HL 1/4	L	PN 315	15	1/4" -18 NPT	15,0	26,0	33,0	24
XVN NW 13 HL 3/8	L	PN 315	15	3/8" -18 NPT	15,3	26,5	33,5	24
XVN NW 13 HL	L	PN 315	15	1/2" -14 NPT	20,0	31,0	38,0	24
XVN NW 13 HL 3/4	L	PN 315	15	3/4" -14 NPT	20,2	32,0	39,0	27
XVN NW 16 HL 1/4	L	PN 315	18	1/4" -18 NPT	15,0	26,5	34,0	27
XVN NW 16 HL	L	PN 315	18	1/2" -14 NPT	20,0	31,5	39,0	27
XVN NW 16 HL 3/4	L	PN 315	18	3/4" -14 NPT	20,2	31,5	39,0	27
XVN NW 20 HL 1/2	L	PN 160	22	1/2" -14 NPT	20,0	33,5	41,0	32
XVN NW 20 HL	L	PN 160	22	3/4" -14 NPT	20,2	33,5	41,0	32
XVN NW 25 HL	L	PN 160	28	1" -11,5 NPT	25,0	39,5	47,0	41
XVN NW 32 HL 1	L	PN 160	35	1" -11,5 NPT	25,0	40,0	50,5	46
XVN NW 32 HL	L	PN 160	35	1.1/4" -11,5 NPT	25,6	40,5	51,0	46
XVN NW 40 HL	L	PN 160	42	1.1/2" -11,5 NPT	26,0	42,0	53,0	55
XVN NW 03 HS	S	PN 630	6	1/4" -18 NPT	15,0	28,0	35,0	17
XVN NW 03 HS 1/2	S	PN 630	6	1/2" -14 NPT	20,0	35,0	42,0	24
XVN NW 04 HS	S	PN 630	8	1/4" -18 NPT	15,0	28,0	35,0	17
XVN NW 04 HS 3/8	S	PN 630	8	3/8" -18 NPT	15,3	28,0	35,0	19
XVN NW 06 HS 1/4	S	PN 630	10	1/4" -18 NPT	15,0	27,5	35,0	19
XVN NW 06 HS	S	PN 630	10	3/8" -18 NPT	15,3	27,5	35,0	19
XVN NW 06 HS 1/2	S	PN 630	10	1/2" -14 NPT	20,0	34,5	42,0	24



Ürün

Tanım	Tip	Çalışma basıncı bar	Ø d2 (mm)	G	i (mm)	L2 (mm)	L7 (mm)	SW (mm)
XVN NW 08 HS 1/4	S	PN 630	12	1/4" -18 NPT	15,0	29,0	36,5	22
XVN NW 08 HS	S	PN 630	12	3/8" -18 NPT	15,3	29,5	37,0	22
XVN NW 08 HS 1/2	S	PN 630	12	1/2" -14 NPT	20,0	34,5	42,0	24
XVN NW 10 HS 3/8	S	PN 630	14	3/8" -18 NPT	15,3	31,5	39,5	24
XVN NW 10 HS	S	PN 630	14	1/2" -14 NPT	20,0	36,0	44,0	24
XVN NW 13 HS	S	PN 400	16	1/2" -14 NPT	20,0	35,5	44,0	27
XVN NW 13 HS 3/4	S	PN 400	16	3/4" -14 NPT	20,2	37,5	46,0	32
XVN NW 16 HS 1/2	S	PN 400	20	1/2" -14 NPT	20,0	37,5	48,0	32
XVN NW 16 HS	S	PN 400	20	3/4" -14 NPT	20,2	37,5	48,0	32
XVN NW 16 HS 1	S	PN 400	20	1" -11,5 NPT	25,0	44,5	55,0	41
XVN NW 20 HS 3/4	S	PN 400	25	3/4" -14 NPT	20,2	40,0	52,0	41
XVN NW 20 HS	S	PN 400	25	1" -11,5 NPT	25,0	45,0	57,0	41
XVN NW 20 HS 1 1/4	S	PN 400	25	1.1/4" -11,5 NPT	25,6	46,0	58,0	46
XVN NW 25 HS 1	S	PN 400	30	1" -11,5 NPT	25,0	46,0	59,5	46
XVN NW 25 HS	S	PN 400	30	1.1/4" -11,5 NPT	25,6	46,5	60,0	46
XVN NW 32 HS	S	PN 315	38	1.1/2" -11,5 NPT	26,0	49,0	65,0	55

Model: LL = Çok hafif L = Hafif S = Ağır - PN=Çalışma Basıncı PB=Patlama Basıncı - çap d2 = Boru dış çapı

Ürün türleri

XVN VA	Blok Baęlantı, Paslanmaz çelik
VN	Blok Baęlantı, Çelik