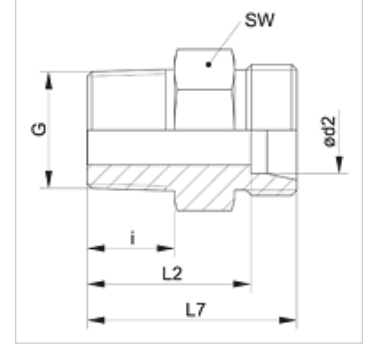


Özellikler

Bağlantı 1	BSPT dış dış konik
Sızdırmazlık şekli 1	dişten contalama
Bağlantı 2	metrik dış dış, silindirik
Sızdırmazlık şekli 2	24° içe havşalı
Model	Blok Bağlantı
Dizayn	düz
Standart	DIN 3901
Teslimat kapsamı	Gövde (somun ve yüzüksüz)
Malzeme	Paslanmaz çelik



Açıklama

Montaj, Basınç Değeri ve izin verilen Çalışma Sıcaklıkları ile ilgili Bilgiler için Lütfen Boru Bağlantı Teknik Bilgilerine Bakınız.

Ürün

Tanım	Tip	Çalışma basıncı bar	Ø d2 (mm)	G	i (mm)	L2 (mm)	L7 (mm)	SW (mm)
XVR 04 LL VA	LL	PN 100	4	R 1/8" K	8,0	16,0	20,0	11
XVR 06 LL VA	LL	PN 100	6	R 1/8" K	8,0	14,5	20,0	11
XVR 06 LL 1/4 VA	LL	PN 100	6	R 1/4" K	12,0	14,5	20,0	12
XVR 08 LL 1/4 VA	LL	PN 100	8	R 1/4" K	12,0	20,5	26,0	14
XVR 08 LL VA	LL	PN 100	8	R 1/8" K	8,0	16,5	22,0	12
XVRK NW 04 HL VA	L	PN 315	6	R 1/8" K	10,5	17,5	24,5	12
XVRK NW 04 HL 1/4 VA	L	PN 315	6	R 1/4" K	14,0	22,0	29,0	17
XVRK NW 04 HL 3/8 VA	L	PN 315	6	R 1/2" K	14,5	23,5	30,5	19
XVRK NW 04 HL 1/2 VA	L	PN 315	6	R 1/2" K	18,5	27,5	34,5	22
XVRK NW 06 HL 1/8 VA	L	PN 315	8	R 1/8" K	10,5	18,5	25,5	14
XVRK NW 06 HL VA	L	PN 315	8	R 1/4" K	14,0	22,0	29,0	17
XVRK NW 06 HL 3/8 VA	L	PN 315	8	R 3/8" K	14,5	22,5	30,5	19
XVRK NW 06 HL 1/2 VA	L	PN 315	8	R 1/2" K	18,5	27,5	34,5	22
XVRK NW 08 HL VA	L	PN 315	10	R 1/4" K	14,0	23,0	30,0	17
XVRK NW 08 HL 1/8 VA	L	PN 315	10	R 1/8" K	10,5	19,5	26,5	17
XVRK NW 08 HL 3/8 VA	L	PN 315	10	R 3/8" K	14,5	24,5	31,5	19
XVRK NW 08 HL 1/2 VA	L	PN 315	10	R 1/2" K	18,5	28,5	35,5	22
XVRK NW 10 HL VA	L	PN 315	12	R 3/8" K	14,5	24,5	31,5	19
XVRK NW 10 HL 1/8 VA	L	PN 315	12	R 1/8" K	10,5	20,5	27,5	19
XVRK NW 10 HL 1/4 VA	L	PN 315	12	R 1/4" K	14,0	24,0	31,0	19
XVRK NW 10 HL 1/2 VA	L	PN 315	12	R 1/2" K	18,5	28,5	35,5	24
XVRK NW 10 HL 3/4 VA	L	PN 315	12	R 3/4" K	20,0	31,0	38,0	32
XVRK NW 13 HL 1/4 VA	L	PN 315	15	R 1/4" K	14,0	25,0	32,0	24
XVRK NW 13 HL VA	L	PN 315	15	R 1/2" K	18,5	29,5	36,5	24
XVRK NW 13 HL 3/8 VA	L	PN 315	15	R 3/8" K	14,5	25,5	24,0	33
XVRK NW 13 HL 3/4 VA	L	PN 315	15	R 3/4" K	20,0	32,0	39,0	32
XVRK NW 16 HL VA	L	PN 315	18	R 1/2" K	18,5	30,0	37,5	27
XVRK NW 16 HL 3/8 VA	L	PN 315	18	R 3/8" K	14,5	26,0	33,5	27
XVRK NW 16 HL 3/4 VA	L	PN 160	18	R 3/4" K	20,0	31,5	39,0	32
XVRK NW 20 HL 3/8 VA	L	PN 160	22	R 3/8" K	14,5	28,0	35,5	32
XVRK NW 20 HL VA	L	PN 160	22	R 3/4" K	20,0	33,5	41,0	32
XVRK NW 20 HL 1/2 VA	L	PN 160	22	R 1/2" K	18,5	32,0	39,5	32
XVRK NW 20 HL 1 VA	L	PN 160	22	R 1" K	24,0	38,5	46,0	41
XVRK NW 25 HL 1/2 VA	L	PN 160	28	R 1/2" K	18,5	33,0	40,5	41
XVRK NW 25 HL 3/4 VA	L	PN 160	28	R 3/4" K	20,0	34,5	42,0	41
XVRK NW 25 HL VA	L	PN 160	28	R 1" K	24,0	38,5	46,0	41
XVRK NW 25 HL 1 1/4 VA	L	PN 160	28	R 1.1/4" K	26,0	43,5	51,0	46
XVRK NW 32 HL VA	L	PN 160	35	R 1.1/4" K	26,0	42,5	53,0	46
XVRK NW 32 HL 1 VA	L	PN 160	35	R 1" K	24,0	40,5	51,0	46
XVRK NW 40 HL VA	L	PN 160	42	R 1.1/2" K	27,0	43,0	54,0	55
XVRK NW 40 HL 1 1/4 VA	L	PN 160	42	R 1.1/4" K	26,0	42,0	53,0	55
XVRK NW 03 HS VA	S	PN 400	6	R 1/4" K	14,0	27,0	34,0	17
XVRK NW 04 HS VA	S	PN 400	8	R 1/4" K	14,0	27,0	34,0	17



Ürün

Tanım	Tip	Çalışma basıncı bar	Ø d2 (mm)	G	i (mm)	L2 (mm)	L7 (mm)	SW (mm)
XVRK NW 04 HS 3/8 VA	S	PN 160	8	R 3/8" K	14,5	27,5	34,5	19
XVRK NW 06 HS VA	S	PN 400	10	R 3/8" K	14,5	27,0	34,5	19
XVRK NW 06 HS 1/4 VA	S	PN 400	10	R 1/4" K	14,0	26,5	34,0	19
XVRK NW 08 HS VA	S	PN 400	12	R 3/8" K	14,5	29,0	36,5	22
XVRK NW 08 HS 1/2 VA	S	PN 400	12	R 1/2" K	18,5	33,0	40,5	22
XVRK NW 10 HS VA	S	PN 400	14	R 1/2" K	18,5	34,5	42,5	24
XVRK NW 13 HS VA	S	PN 400	16	R 1/2" K	18,5	34,0	42,5	27
XVRK NW 16 HS VA	S	PN 400	20	R 3/4" K	20,0	37,5	48,0	32
XVRK NW 16 HS 1/2 VA	S	PN 400	20	R 1/2" K	18,5	36,0	46,5	32
XVRK NW 20 HS VA	S	PN 400	25	R 1" K	24,0	43,0	55,0	41
XVRK NW 25 HS VA	S	PN 250	30	R 1.1/4" K	26,0	45,5	59,0	46

Model: LL = Çok hafif L = Hafif S = Ağır - PN=Çalışma Basıncı PB=Patlama Basıncı - çap d2 = Boru dış çapı

Ürün türleri

XVRK	Blok Baęlantı, Çelik
VRK VA	Blok Baęlantı, Paslanmaz çelik