

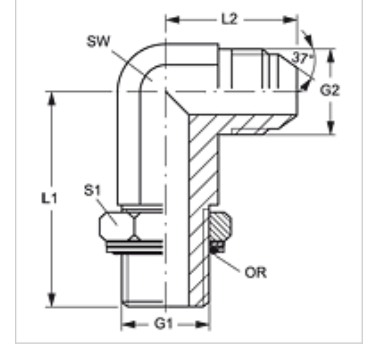
# W90 HROK L HJ

Blok Adaptör, Uzun, 90° Açılı

**HANSA FLEX**

## Özellikler

|                             |                        |
|-----------------------------|------------------------|
| <b>Bağlantı 1</b>           | BSP dış dış silindirik |
| <b>Sızdırmazlık şekli 1</b> | O-Ringli Çember Pullu  |
| <b>Bağlantı 2</b>           | UN/UNF dış dış         |
| <b>Sızdırmazlık şekli 2</b> | 74°'lik dış havşa      |
| <b>Model</b>                | Blok Adaptör uzun      |
| <b>Dizayn</b>               | 90° Açılı              |
| <b>Malzeme</b>              | Çelik                  |
| <b>Yüzey koruması</b>       | galvaniz kaplı         |



## Ürün

| Tanım               | G1         | G2             | SW<br>(mm) | L1<br>(mm) | L2<br>(mm) | S1 | OR           |
|---------------------|------------|----------------|------------|------------|------------|----|--------------|
| W90 HROK L 04 HJ 06 | G 1/4" -19 | 9/16" -18 UNF  | 14         | 56,5       | 27,0       | 19 | 10,78 x 2,62 |
| W90 HROK L 04 HJ 08 | G 1/4" -19 | 3/4" -16 UNF   | 19         | 64,0       | 31,5       | 19 | 10,78 x 2,62 |
| W90 HROK L 06 HJ    | G 3/8" -19 | 9/16" -18 UNF  | 19         | 67,0       | 28,5       | 22 | 13,94 x 2,62 |
| W90 HROK L 06 HJ 08 | G 3/8" -19 | 3/4" -16 UNF   | 19         | 67,0       | 31,5       | 22 | 13,94 x 2,62 |
| W90 HROK L 06 HJ 10 | G 3/8" -19 | 7/8" -14 UNF   | 22         | 75,0       | 36,5       | 22 | 13,94 x 2,62 |
| W90 HROK L 08 HJ    | G 1/2" -14 | 3/4" -16 UNF   | 22         | 78,0       | 34,0       | 27 | 17,86 x 2,62 |
| W90 HROK L 08 HJ 06 | G 1/2" -14 | 9/16" -18 UNF  | 22         | 78,0       | 31,0       | 27 | 17,86 x 2,62 |
| W90 HROK L 08 HJ 10 | G 1/2" -14 | 7/8" -14 UNF   | 22         | 78,0       | 36,5       | 27 | 17,86 x 2,62 |
| W90 HROK L 08 HJ 12 | G 1/2" -14 | 1.1/16" -12 UN | 27         | 88,0       | 42,0       | 27 | 17,86 x 2,62 |
| W90 HROK L 12 HJ    | G 3/4" -14 | 1.1/16" -12 UN | 27         | 92,0       | 42,0       | 36 | 23,47 x 2,62 |
| W90 HROK L 12 HJ 10 | G 3/4" -14 | 7/8" -14 UNF   | 27         | 92,0       | 39,5       | 36 | 23,47 x 2,62 |
| W90 HROK L 12 HJ 16 | G 3/4" -14 | 1.5/16" -12 UN | 33         | 105,0      | 46,0       | 36 | 23,47 x 2,62 |
| W90 HROK L 16 HJ    | G 1" -11   | 1.5/16" -12 UN | 33         | 105,0      | 44,5       | 41 | 29,74 x 3,53 |
| W90 HROK L 16 HJ 12 | G 1" -11   | 1.1/16" -12 UN | 33         | 105,0      | 44,5       | 41 | 29,74 x 3,53 |
| W90 HROK L 16 HJ 20 | G 1" -11   | 1.5/8" -12 UN  | 41         | 124,0      | 52,0       | 41 | 29,74 x 3,53 |

SW, S1, S2 = Anahtar genişliği

## Yedek Parçalar

**KAMMRING G** Hazne Halkası, İnç