

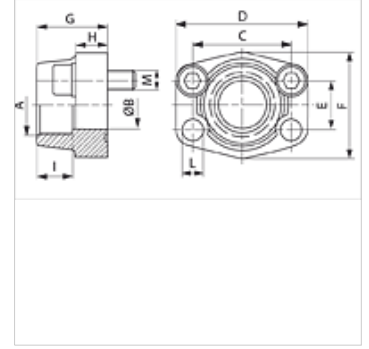
AFS N M (3000 / 6000 PSI)

SAE Blok Flanşı, NPT

HANSA FLEX

Özellikler

Standart	SAE J 518 C ISO 6162
Dizayn	düz
Model	SAE blok flanşı .
Sabitleme	Vida deliği
Teslimat kapsamı	metrik vida setli ve o-ringli
Malzeme	S355J2G3 (ST52.3)
Yüzey koruması	siyah yağlı



Açıklama

Verilen Maksimum Çalışma Basıncı, Flanşla İlgilidir! Gerçek Çalışma Basıncı, Boru (Et Kalınlığı) ve Borunun Kalitesi ile Belirlenir!

Ürün

Tanım	Basınç serisi	PB 10.9 (bar)	Model ebadı	A	Ø B (mm)	C (mm)	TR (mm)	E (mm)	F (mm)	G (mm)	H (mm)	I (mm)	L (mm)	M metr.
AFS 80 N 1/2 M	3000 PSI	350	1/2"	NPT 1/2" -14	13	38,1	54	17,5	46	36	16	19	9,0	M 8 x 30
AFS 80 N 3/8 M	3000 PSI	350	1/2"	NPT 3/8" -18	13	38,1	54	17,5	46	36	16	19	9,0	M 8 x 30
AFS 104 N 1M	3000 PSI	250	1.1/4"	NPT 1" -11,5	25	58,7	81	30,2	65	42	25	22	11,5	M 10 x 40
AFS 100 N 1/2 M	3000 PSI	350	3/4"	NPT 1/2" -14	13	47,6	65	22,2	50	36	18	19	11,0	M 10 x 35
AFS 100 N 3/4 M	3000 PSI	350	3/4"	NPT 3/4" -14	19	47,6	65	22,2	50	36	18	19	11,0	M 10 x 35
AFS 102 N 3/4 M	3000 PSI	315	1"	NPT 3/4" -14	19	52,4	70	26,2	55	35	21	19	11,0	M 10 x 35
AFS 102 N 1 M	3000 PSI	315	1"	NPT 1" -11,5	25	52,4	70	26,2	55	38	18	22	11,0	M 10 x 35
AFS 104 N 1 1/4 M	3000 PSI	250	1.1/4"	NPT 1.1/4" -11,5	32	58,7	79	30,2	68	41	21	22	11,5	M 10 x 40
AFS 106 N 1 1/4 M	3000 PSI	200	1.1/2"	NPT 1.1/4" -11,5	32	69,9	95	35,7	78	45	27	24	13,5	M 12 x 45
AFS 106 N 1 1/2 M	3000 PSI	200	1.1/2"	NPT 1.1/2"	38	69,9	93	35,7	78	45	25	24	13,5	M 12 x 45
AFS 108 N 1 1/2 M	3000 PSI	200	2"	NPT 1.1/2"	38	77,8	102	42,9	90	45	25	26	13,5	M 12 x 45
AFS 108 N 2 M	3000 PSI	200	2"	NPT 2" -11,5	51	77,8	102	42,9	90	45	25	30	13,5	M 12 x 45
AFS 110 N 2 1/2 M	3000 PSI	160	2.1/2"	NPT 2.1/2" -11,5	63	88,9	114	50,8	105	50	25	30	13,5	M 12 x 45
AFS 112 N M	3000 PSI	138	3"	NPT 3" -11,5	73	106,4	134	61,9	124	50	27	34	17,5	M 16 x 50
AFS 114 N M	3000 PSI	35	3.1/2"	NPT 3.1/2" -11,5	89	120,7	152	69,9	136	48	27	34	17,5	M 16 x 50
AFS 116 N M	3000 PSI	35	4"	NPT 4" -11,5	99	130,2	162	77,8	146	48	27	34	17,5	M 16 x 50
AFS 401 N M	6000 PSI	400	1/2"	NPT 1/2" -14	13	40,5	54	18,2	46	36	16	19	9,0	M 8 x 30
AFS 401 N 3/8 M	6000 PSI	400	1/2"	NPT 3/8" -18	13	40,5	54	18,2	46	36	16	19	9,0	M 8 x 30
AFS 402 N M	6000 PSI	400	3/4"	NPT 3/4" -14	19	50,8	71	23,8	55	35	21	22	11,0	M 10 x 35
AFS 402 N 1/2 M	6000 PSI	400	3/4"	NPT 1/2" -14	13	50,8	71	23,8	55	35	21	22	11,0	M 10 x 35
AFS 403 N M	6000 PSI	400	1"	NPT 1" -11,5	25	57,2	81	27,8	65	42	25	24	13,0	M 12 x 45
AFS 403 N 3/4 M	6000 PSI	400	1"	NPT 3/4" -14	19	57,2	81	27,8	65	42	25	24	13,0	M 12 x 45
AFS 404 N M	6000 PSI	400	1.1/4"	NPT 1.1/4" -11,5	32	66,7	95	31,8	78	45	27	25	15,0	M 14 x 45
AFS 404 N 1 M	6000 PSI	400	1.1/4"	NPT 1" -11,5	25	66,7	95	31,8	78	45	27	25	15,0	M 14 x 45
AFS 405 N M	6000 PSI	400	1.1/2"	NPT 1.1/2"	38	79,4	112	36,5	94	50	30	28	17,0	M 16 x 50
AFS 405 N 1 1/4 M	6000 PSI	400	1.1/2"	NPT 1.1/4" -11,5	32	79,4	112	36,5	94	50	30	28	17,0	M 16 x 50
AFS 406 N M	6000 PSI	400	2"	NPT 2" -11,5	51	96,8	134	44,5	114	65	37	30	21,0	M 20 x 65
AFS 406 N 1 1/2 M	6000 PSI	400	2"	NPT 1.1/2"	38	96,8	134	44,5	114	65	37	30	21,0	M 20 x 65

PN=Çalışma Basıncı PB=Patlama Basıncı

Ürün türleri

AFS N (3000 PSI)	SAE Blok Flanşı, NPT, sadece flanş
AFS N U (3000 / 6000 PSI)	SAE Blok Flanşı, NPT, UNC vida setli ve conta halkalı